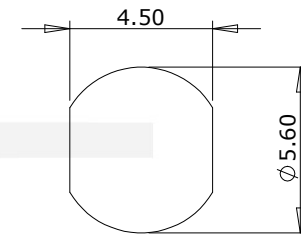
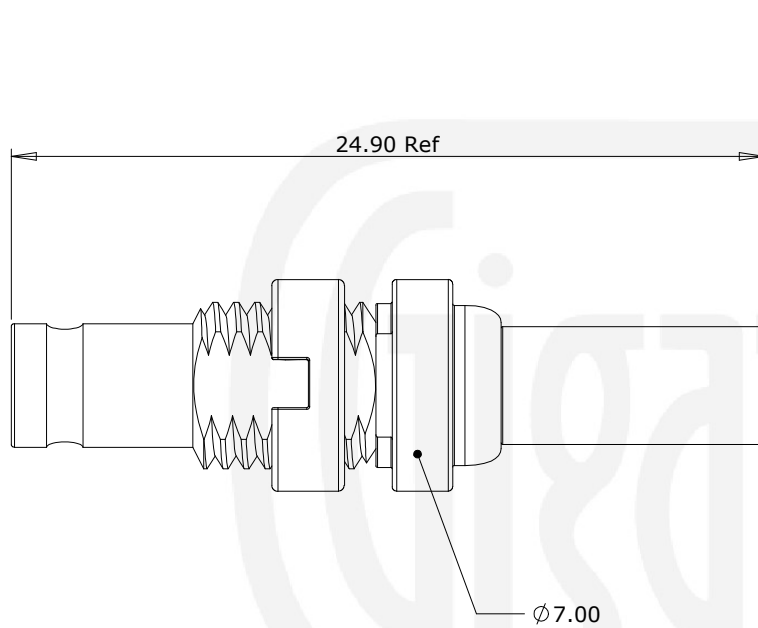


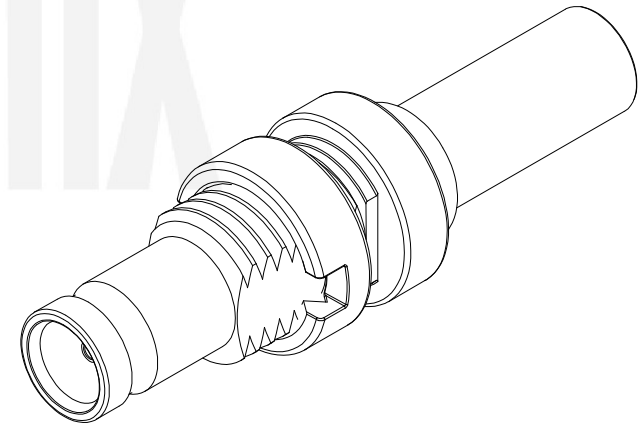
Revisions

| Issue | Date | Note |
|-------|------------|---------------------|
| 1 | 14/10/2020 | See note GTXPDC/221 |

SUMMARY VIEW



Panel Cut Out



| Description | Material | Finish |
|--------------|------------------|--------|
| 5 Lock Nut | Brass | Gold |
| 4 Ferrule | Brass | Gold |
| 3 Dielectric | PTFE | White |
| 2 Contact | Beryllium Copper | Gold |
| 1 Body | Brass | Gold |

Unless otherwise specified tolerances
 0.5-5 = ±0.2
 >5-30 = ±0.4
 >30-120 = ±0.6
 >120-315 = ±1.0
 >315-1000 = ±1.6
 Angles = ±5°
 Units = mm

This document is the confidential property of Gigatronix Limited and may not be copied, reproduced or transmitted to any third party without written authorisation.



| | |
|---------------------|------------|
| Author | PJP |
| Drawn by | PJP |
| Drawing date | 14/10/2020 |
| Checked by | SM |
| Checked date | 14/10/2020 |
| Scale | 4 : 1 |

| | |
|--------------------------------------------------------------------------|---------------|
| Part Number | 2302-0179-C01 |
| Title: 1.0/2.3 12G SDI Crimp Bulkhead Jack, RG179, Belden RG179DT | |