

Revisions

Issue	Date	Note
2	07/07/2023	See GTXPDC/807



1. Mechanical

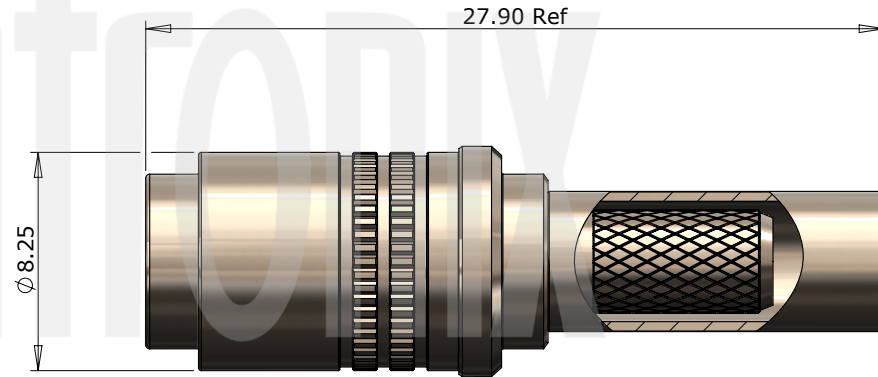
Cable Retention	Equal to breaking strain of cable
Durability	500 mating cycles
Fixing Method	Crimp

2. Environmental

RoHS Compliant	Yes
Temperature Range	-65 to +165 degrees C

3. Electrical

Dielectric Withstanding	750 Volts RMS Maximum
Impedance	75 ohms
Interface Frequency	12 GHz
Working Voltage	2500 Volts RMS Maximum



Description	Material	Finish
5 Ferrule	Brass	Nickel
4 Dielectric	PTFE	White
3 Pin	Phosphor Bronze	Gold
2 Coupling Nut	Brass	Nickel
1 Body	Brass	Nickel

Unless otherwise specified tolerances
 0.5-5 = ±0.2
 >5-30 = ±0.4
 >30-120 = ±0.6
 >120-315 = ±1.0
 >315-1000 = ±1.6
 Angles = ±5°
 Units = mm

This document is the confidential property of Gigatronix Limited and may not be copied, reproduced or transmitted to any third party without written authorisation.



Author	PJP
Drawn by	PJP
Drawing date	10/07/2020
Checked by	SM
Checked date	10/07/2020
Scale	Not to scale

Part Number 2315-4855-C06X-Z
Title: 1.0/2.3 DIN Crimp Plug, Ball Lock Coupling Nut, Belden 4855P, 4855R, 1855

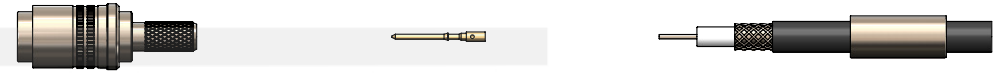
Revisions

Issue	Date	Note
2	07/07/2023	See GTXPDC/807

ASSEMBLY INSTRUCTIONS

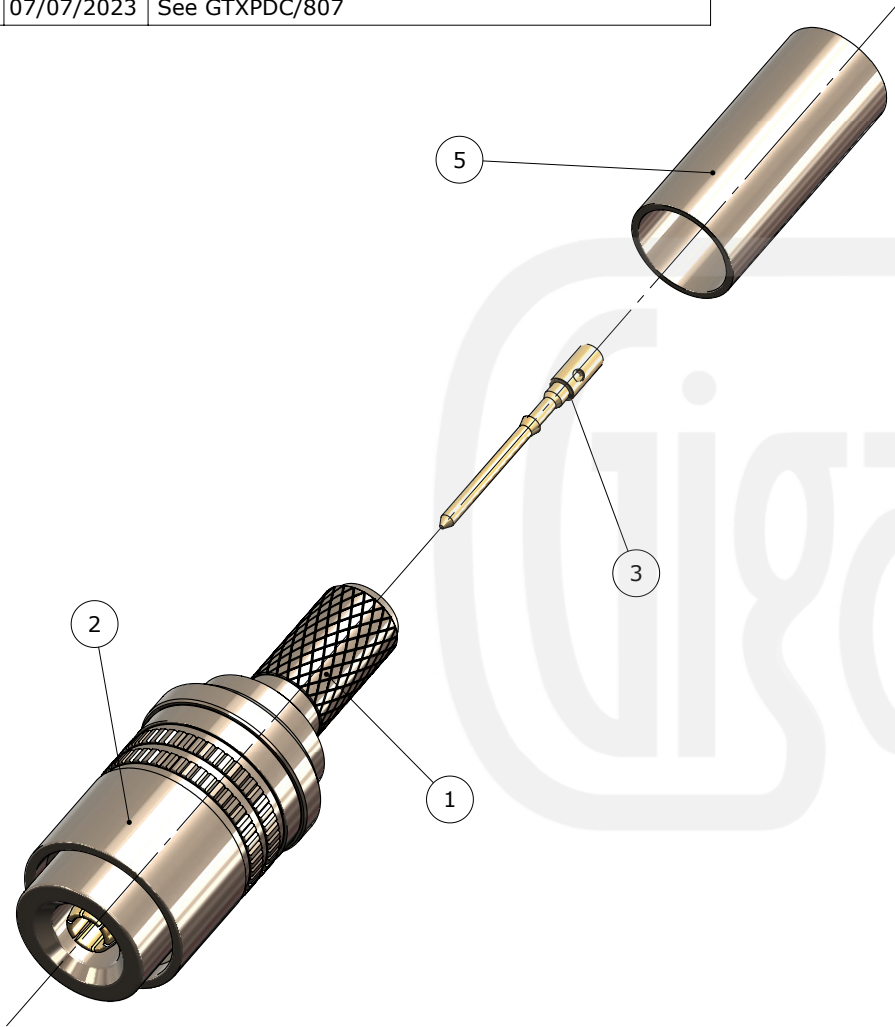
Assembly Instructions:

1) Slide the ferrule onto the cable and strip the cable to the dimensions as shown, taking care not to nick the centre conductor or braid



2) Crimp the pin onto the centre core and slide the pin into the body until it captivates, ensuring that the cable braid is on the outside of the connector mandril

3) Slide the ferrule forward and crimp



Crimp Die Sizes:
4.52mm Hex., 1.07mm sq. or Hex.

Strip Dimensions:
A=8.7mm, B=2.6mm, C=2.7mm



Description	Material	Finish
5 Ferrule	Brass	Nickel
4 Dielectric	PTFE	White
3 Pin	Phosphor Bronze	Gold
2 Coupling Nut	Brass	Nickel
1 Body	Brass	Nickel

Unless otherwise specified tolerances
 0.5-5 = ±0.2
 >5-30 = ±0.4
 >30-120 = ±0.6
 >120-315 = ±1.0
 >315-1000 = ±1.6
 Angles = ±5°
 Units = mm

This document is the confidential property of Gigatronix Limited and may not be copied, reproduced or transmitted to any third party without written authorisation.



Author	PJP
Drawn by	PJP
Drawing date	10/07/2020
Checked by	SM
Checked date	10/07/2020
Scale	Not to scale

Part Number 2315-4855-C06X-Z
Title: 1.0/2.3 DIN Crimp Plug, Ball Lock Coupling Nut, Belden 4855P, 4855R, 1855