

Revisions

Issue	Date	Note
4	05/01/2022	See GTXPDC/381 - checked DB 11/01/2022

DATASHEET



1. Mechanical

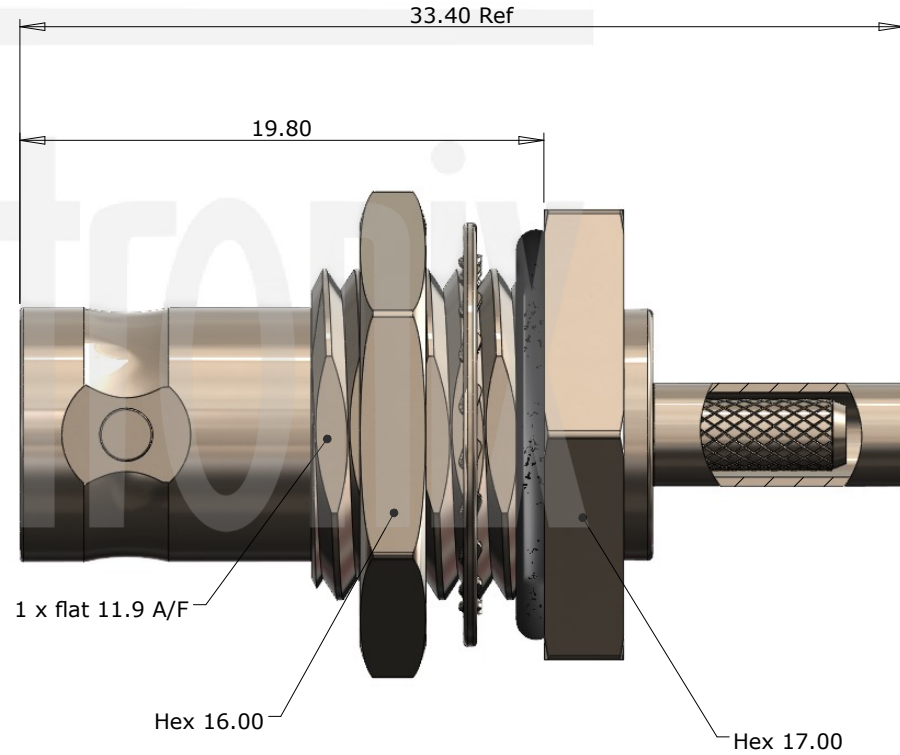
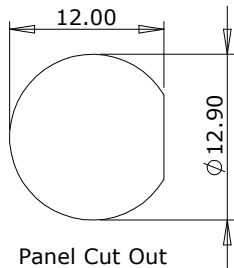
Cable Retention Equal to breaking strain of cable
 Durability 500 mating cycles
 Lock Nut Torque 4.0 - 4.5Nm (35-40 in-lbs)

2. Environmental

RoHS Compliant Yes
 Temperature Range -65 to +165 degrees C

3. Electrical

Dielectric Withstanding 1500 Volts RMS Maximum
 Impedance 50 ohms
 Interface Frequency 4 GHz
 Working Voltage 500 Volts RMS Maximum



8	O Ring	Silicon	Black
7	Dielectric	PTFE	White
6	Lock Nut	Brass	Nickel
5	Washer	Phosphor Bronze	Nickel
4	Ferrule	Brass	Nickel
3	Contact	Phosphor Bronze	Gold
2	Pin	Brass	Gold
1	Body	Brass	Nickel
	Description	Material	Finish

Unless otherwise specified tolerances
 0.5-5 = ±0.2
 >5-30 = ±0.4
 >30-120 = ±0.6
 >120-315 = ±1.0
 >315-1000 = ±1.6
 Angles = ±5°
 Units = mm

This document is the confidential property of Gigatronix Limited and may not be copied, reproduced or transmitted to any third party without written authorisation.



Author	PJP
Drawn by	PJP
Drawing date	24/03/2015
Checked by	DB
Checked date	27/09/2018
Scale	Not to scale

Part Number	BN02-3161-C06WP
Title:	BNC Waterproof Crimp Bulkhead Jack, IP68, RG174, LBC100, RG316

Revisions

Issue	Date	Note
4	05/01/2022	See GTXPC/381 - checked DB 11/01/2022

ASSEMBLY INSTRUCTIONS



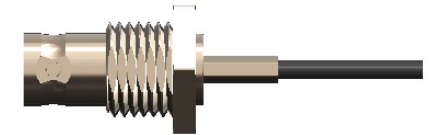
Assembly Instructions

1) Slide the ferrule onto the cable and strip the cable to the dimensions as shown, taking care not to nick the centre conductor or braid.



2) Solder the pin onto the centre core and slide the pin into the body until fully located, ensuring that the cable braid is on the outside of the connector mandril.

3) Slide the ferrule forward and crimp.



Crimp Hex. Sizes:

3.25mm Hex, Solder Centre Core

Strip Dimensions:

A=7.5mm, B=5.0mm, C=2.0mm



8	O Ring	Silicon	Black
7	Dielectric	PTFE	White
6	Lock Nut	Brass	Nickel
5	Washer	Phosphor Bronze	Nickel
4	Ferrule	Brass	Nickel
3	Contact	Phosphor Bronze	Gold
2	Pin	Brass	Gold
1	Body	Brass	Nickel
	Description	Material	Finish

Unless otherwise specified tolerances
 0.5-5 = ±0.2
 >5-30 = ±0.4
 >30-120 = ±0.6
 >120-315 = ±1.0
 >315-1000 = ±1.6
 Angles = ±5°
 Units = mm

This document is the confidential property of Gigatronix Limited and may not be copied, reproduced or transmitted to any third party without written authorisation.



Author	PJP
Drawn by	PJP
Drawing date	24/03/2015
Checked by	DB
Checked date	27/09/2018
Scale	Not to scale

Part Number BN02-3161-C06WP

Title: BNC Waterproof Crimp Bulkhead Jack, IP68, RG174, LBC100, RG316