

Revisions

Issue	Date	Note
3	06/01/2022	See note GTXPDC/382 - checked DB 13/01/2022



1. Mechanical

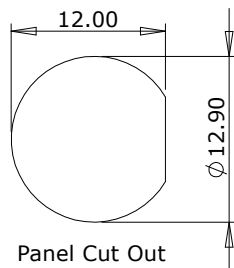
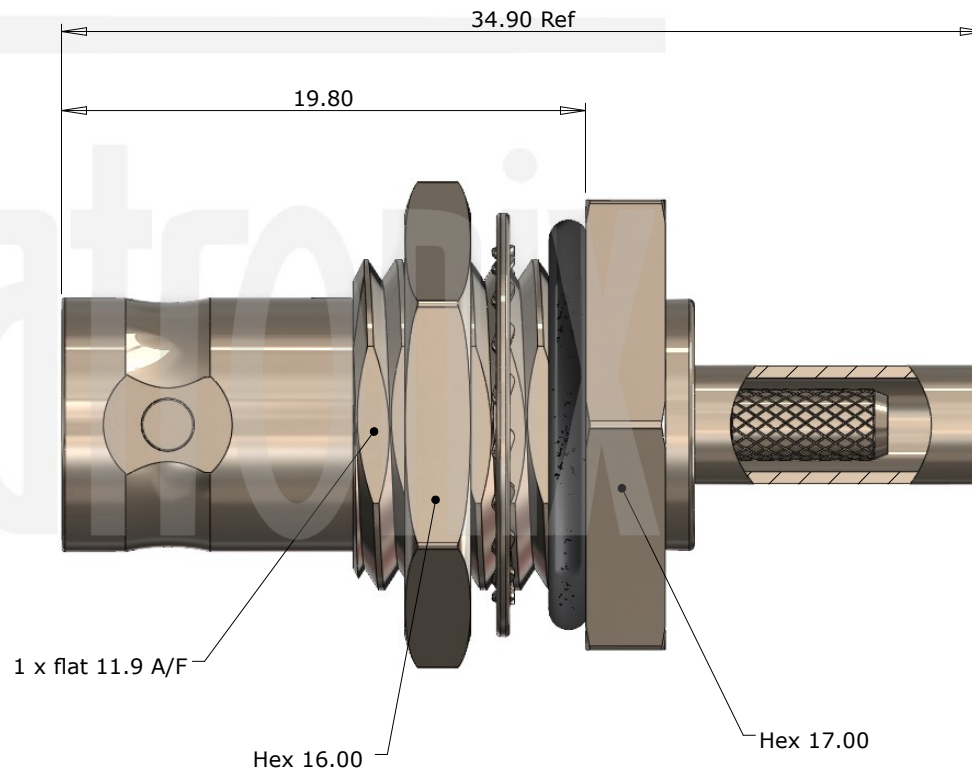
Cable Retention	Equal to breaking strain of cable
Durability	500 mating cycles
Lock Nut Torque	4.0 - 4.5Nm (35-40 in-lbs)

2. Environmental

RoHS Compliant	Yes
Temperature Range	-65 to +165 degrees C

3. Electrical

Dielectric Withstanding	1500 Volts RMS Maximum
Impedance	50 ohms
Interface Frequency	4 GHz
Working Voltage	500 Volts RMS Maximum



8	O Ring	Silicon	Black
7	Dielectric	PTFE	White
6	Lock Nut	Brass	Nickel
5	Washer	Phosphor Bronze	Nickel
4	Ferrule	Brass	Nickel
3	Contact	Phosphor Bronze	Gold
2	Pin	Brass	Gold
1	Body	Brass	Nickel
	Description	Material	Finish

Unless otherwise specified tolerances
 0.5-5 = ±0.2
 >5-30 = ±0.4
 >30-120 = ±0.6
 >120-315 = ±1.0
 >315-1000 = ±1.6
 Angles = ±5°
 Units = mm

This document is the confidential property of Gigatronix Limited and may not be copied, reproduced or transmitted to any third party without written authorisation.



Author	PJP
Drawn by	PJP
Drawing date	21/08/2019
Checked by	DB
Checked date	21/08/2019
Scale	Not to scale

Part Number	BN02-3162-C06WP
Title:	BNC Waterproof Crimp Bulkhead Jack, IP68, RD316

Revisions

Issue	Date	Note
3	06/01/2022	See note GTXPDC/382 - checked DB 13/01/2022

ASSEMBLY INSTRUCTIONS



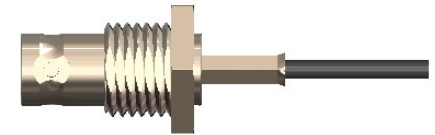
Assembly Instructions

1) Slide the ferrule onto the cable and strip the cable to the dimensions as shown, taking care not to nick the centre conductor or braid.



2) Solder the pin onto the centre core and slide the pin into the body until fully located, ensuring that the cable braid is on the outside of the connector mandril.

3) Slide the ferrule forward and crimp.



Crimp Hex. Sizes:

3.83mm Hex, Solder Centre Core

Strip Dimensions:

A=8.5mm, B=5.0mm, C=2.0mm



A | B | C

8	O Ring	Silicon	Black
7	Dielectric	PTFE	White
6	Lock Nut	Brass	Nickel
5	Washer	Phosphor Bronze	Nickel
4	Ferrule	Brass	Nickel
3	Contact	Phosphor Bronze	Gold
2	Pin	Brass	Gold
1	Body	Brass	Nickel
	Description	Material	Finish

Unless otherwise specified tolerances
 0.5-5 = ±0.2
 >5-30 = ±0.4
 >30-120 = ±0.6
 >120-315 = ±1.0
 >315-1000 = ±1.6
 Angles = ±5°
 Units = mm

This document is the confidential property of Gigatronix Limited and may not be copied, reproduced or transmitted to any third party without written authorisation.



Author	PJP
Drawn by	PJP
Drawing date	21/08/2019
Checked by	DB
Checked date	21/08/2019
Scale	Not to scale

Part Number BN02-3162-C06WP

Title: BNC Waterproof Crimp Bulkhead Jack, IP68, RD316