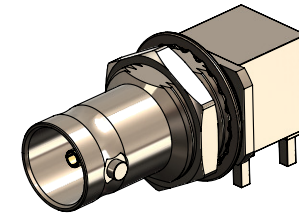


**Revisions**

Issue	Date	Note
2	30/4/2024	See note GTXPDC/932

**DATASHEET**



**1. Mechanical**

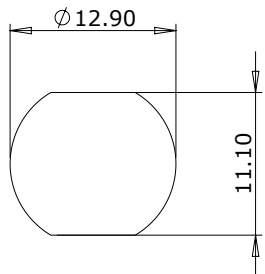
Fixing Method	PCB
Contact Gender	Female
Durability	500 mating cycles
Lock Nut Torque	4.0 - 4.5Nm (35-40 in-lbs)

**2. Environmental**

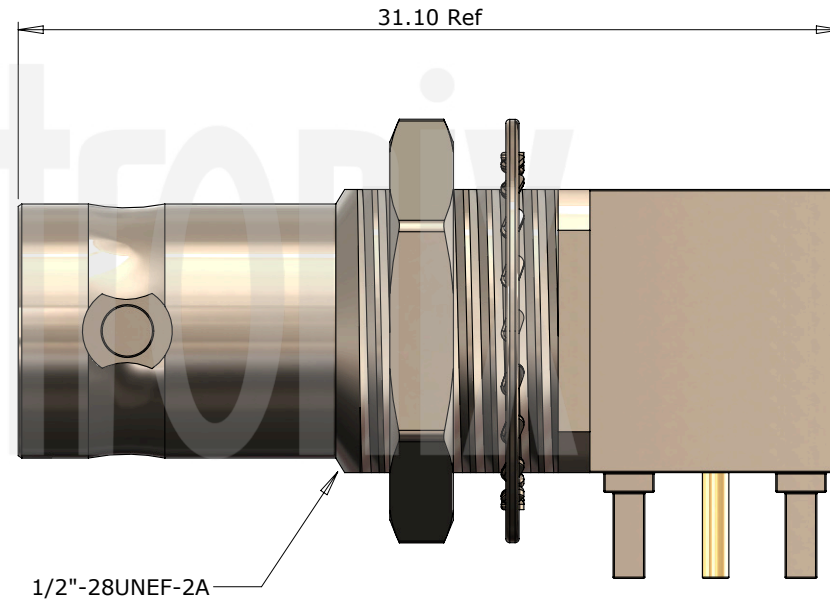
RoHS Compliant	Yes
Temperature Range	-65 to +165 degrees C

**3. Electrical**

Dielectric Withstanding Impedance	1500 Volts RMS Maximum
Interface Frequency	75 ohms
Working Voltage	12 GHz
	500 Volts RMS Maximum



Panel Cut Out



Description	Material	Finish
5 Washer	Phosphor Bronze	Nickel
4 Lock Nut	Brass	Nickel
3 Dielectric	PTFE	White
2 Contact	Phosphor Bronze	Gold
1 Body	Brass	Nickel

Unless otherwise specified tolerances  
 0.5-5 = ±0.2  
 >5-30 = ±0.4  
 >30-120 = ±0.6  
 >120-315 = ±1.0  
 >315-1000 = ±1.6  
 Angles = ±5°  
 Units = mm

This document is the confidential property of Gigatronix Limited and may not be copied, reproduced or transmitted to any third party without written authorisation.



**Part Number** BN02-X600-N06-Z-9

**Title:** BNC 12G SDI Right Angle PCB Mount Bulkhead Jack, Nickel Plated, PTFE Dielectric, 75 ohms, Hex. Nut

<b>Author</b>	PJP
<b>Drawn by</b>	PJP
<b>Drawing date</b>	09/09/2019
<b>Checked by</b>	CBB
<b>Checked date</b>	09/09/2019
<b>Scale</b>	Not to scale