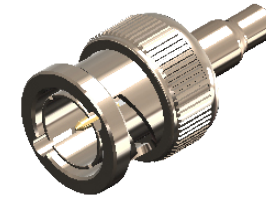


Revisions

Issue	Date	Note
3	27/06/2022	See GTXPDC/529 - checked DB 27/06/2022

DATASHEET



1. Mechanical

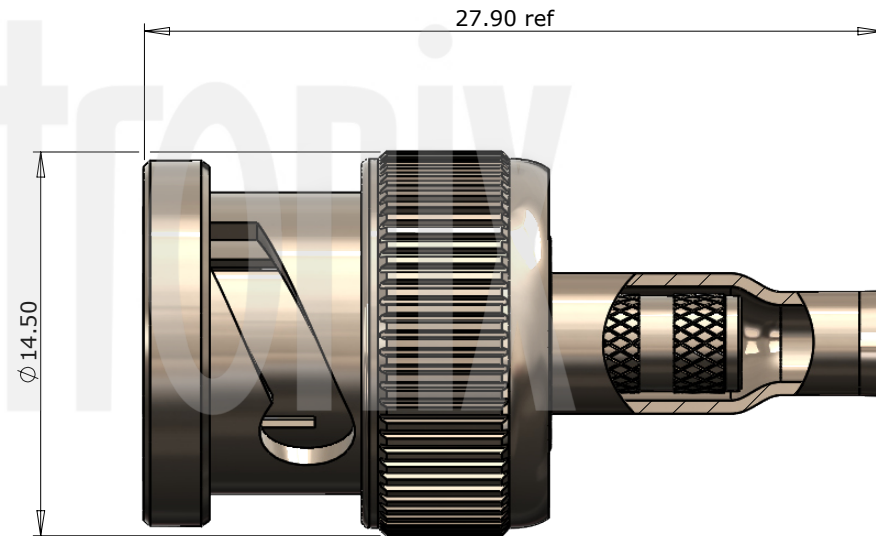
Cable Retention	Equal to breaking strain of cable
Durability	500 mating cycles
Fixing Method	Crimp

2. Environmental

RoHS Compliant	Yes
Temperature Range	-65 to +165 degrees C

3. Electrical

Dielectric Withstanding	1500 Volts RMS Maximum
Impedance	75 ohms
Interface Frequency	12 GHz
Working Voltage	500 Volts RMS Maximum



Description	Material	Finish
5 Ferrule	Brass	Nickel
4 Dielectric	PTFE	White
3 Pin	Brass	Gold
2 Coupling Nut	Brass	Nickel
1 Body	Zinc Alloy	Nickel

Unless otherwise specified tolerances
 0.5-5 = ±0.2
 >5-30 = ±0.4
 >30-120 = ±0.6
 >120-315 = ±1.0
 >315-1000 = ±1.6
 Angles = ±5°
 Units = mm

This document is the confidential property of Gigatronix Limited and may not be copied, reproduced or transmitted to any third party without written authorisation.



Author	PJP
Drawn by	PJP
Drawing date	24/09/2015
Checked by	GP
Checked date	28/09/2015
Scale	Not to scale

Part Number BN15-0179-C06-Z

Title: BNC 12G SDI Crimp Plug, Nickel Plated, Brass Coupling Nut, Belden RG179DT, RG179B/U

Revisions

Issue	Date	Note
3	27/06/2022	See GTXPC/529 - checked DB 27/06/2022

ASSEMBLY INSTRUCTIONS

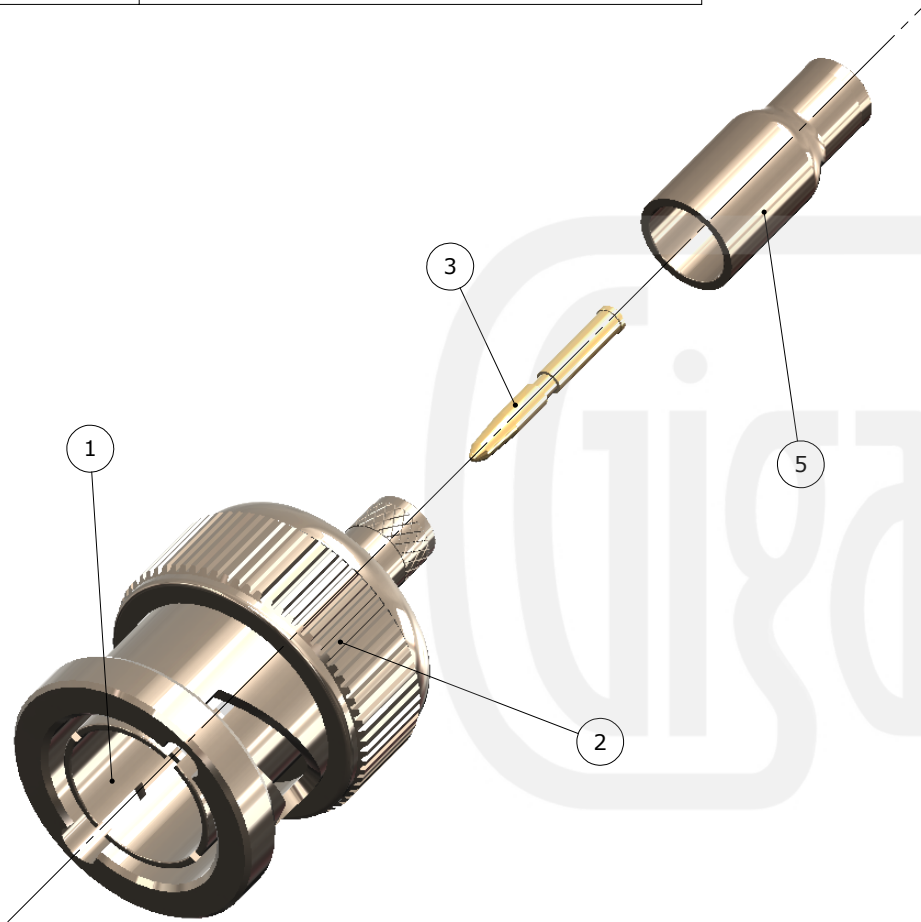
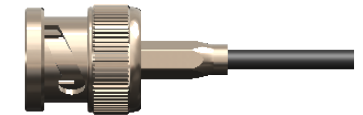
Assembly Instructions:

1) Slide the ferrule onto the cable and strip the cable to the dimensions as shown, taking care not to nick the centre conductor or braid



2) Crimp the pin onto the centre core and slide the pin into the body until it captivates,

3) Slide the ferrule forward and crimp



Crimp Die Sizes:
4.52mm Hex., 1.07mm sq. or Hex.
Strip Dimensions:
A=7.5mm, B=3.2mm, C=4.0mm



5	Ferrule	Brass	Nickel
4	Dielectric	PTFE	White
3	Pin	Brass	Gold
2	Coupling Nut	Brass	Nickel
1	Body	Zinc Alloy	Nickel
	Description	Material	Finish

Unless otherwise specified tolerances
 0.5-5 = ±0.2
 >5-30 = ±0.4
 >30-120 = ±0.6
 >120-315 = ±1.0
 >315-1000 = ±1.6
 Angles = ±5°
 Units = mm

This document is the confidential property of Gigatronix Limited and may not be copied, reproduced or transmitted to any third party without written authorisation.



Author	PJP
Drawn by	PJP
Drawing date	24/09/2015
Checked by	GP
Checked date	28/09/2015
Scale	Not to scale

Part Number BN15-0179-C06-Z
Title: BNC 12G SDI Crimp Plug, Nickel Plated, Brass Coupling Nut, Belden RG179DT, RG179B/U