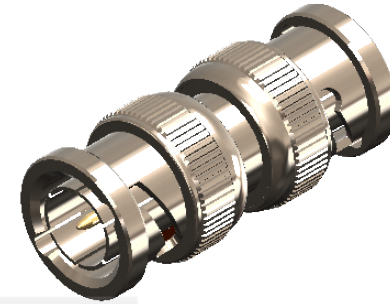


Revisions

Issue	Date	Note
1	26/01/2023	See note GTXPDC/649

DATASHEET

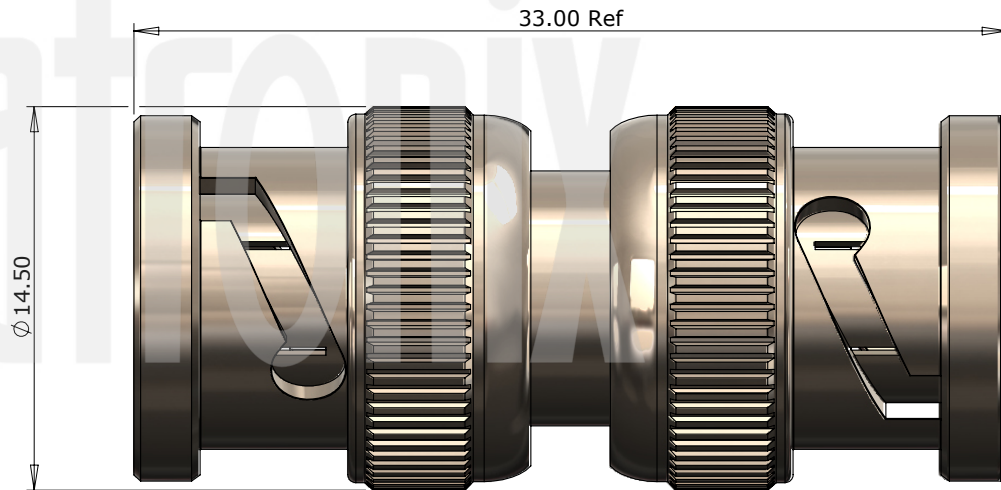


1. Environmental

RoHS Compliant Yes
 Temperature Range -40 to +85 degrees C

2. Electrical

Dielectric Withstanding 1500 Volts RMS Maximum
 Impedance 75 ohms
 Interface Frequency 12 GHz
 Working Voltage 500 Volts RMS Maximum



Description	Material	Finish
4 Dielectric	Polypropylene	White
3 Pin	Brass	Gold
2 Coupling Nut	Brass	Nickel
1 Body	Brass	Nickel

Unless otherwise specified tolerances
 0.5-5 = ±0.2
 >5-30 = ±0.4
 >30-120 = ±0.6
 >120-315 = ±1.0
 >315-1000 = ±1.6
 Angles = ±5°
 Units = mm

This document is the confidential property of Gigatronix Limited and may not be copied, reproduced or transmitted to any third party without written authorisation.



Author	PJP
Drawn by	PJP
Drawing date	26/01/2023
Checked by	DB
Checked date	26/01/2023
Scale	Not to scale

Part Number	BN15-15-A06-Z
Title:	BNC 12G SDI Plug to Plug Adaptor, Nickel Plated