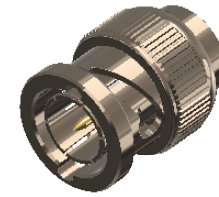


**Revisions**

Issue	Date	Note
1	20/04/2022	See note GTXPDC/494

**DATASHEET**



**1. Mechanical**

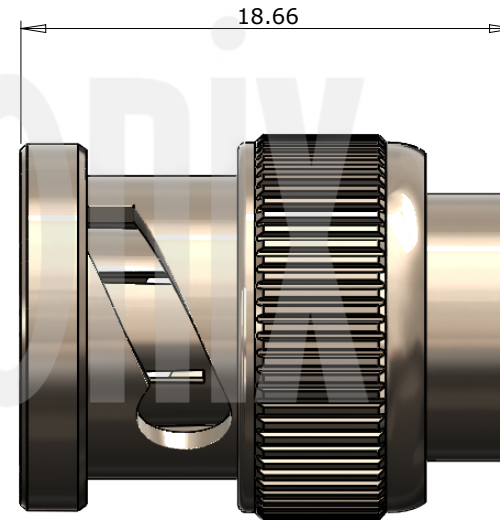
Fixing Method	Not applicable
Durability	500 mating cycles
Dielectric Withstanding	1500 Volts RMS Maximum

**2. Environmental**

RoHS Compliant	Yes
Temperature Range	-65 to +165 degrees C

**3. Electrical**

Dielectric Withstanding	1500 Volts RMS Maximum
Impedance	75 ohms
Interface Frequency	12 GHz
Working Voltage	500 Volts RMS Maximum



Description	Material	Finish
4 Coupling Nut	Zinc Alloy	Nickel
3 Dielectric	PTFE	White
2 Contact	Brass	Gold
1 Body	Brass	Nickel

Unless otherwise specified tolerances  
 0.5-5 = ±0.2  
 >5-30 = ±0.4  
 >30-120 = ±0.6  
 >120-315 = ±1.0  
 >315-1000 = ±1.6  
 Angles = ±5°  
 Units = mm

This document is the confidential property of Gigatronix Limited and may not be copied, reproduced or transmitted to any third party without written authorisation.



<b>Author</b>	PJP
<b>Drawn by</b>	PJP
<b>Drawing date</b>	20/04/2022
<b>Checked by</b>	DB
<b>Checked date</b>	20/04/2022
<b>Scale</b>	Not to scale

<b>Part Number</b>	BN15-75-A06-Z
<b>Title:</b>	BNC 12G SDI Terminator, Nickel Plated, 75 ohms