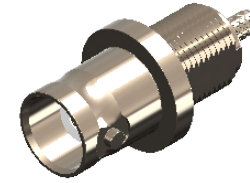


**Revisions**

Issue	Date	Note
1	08/08/2022	See GTXPCD/563 - checked DB 10/08/2022

**DATASHEET**



**1. Mechanical**

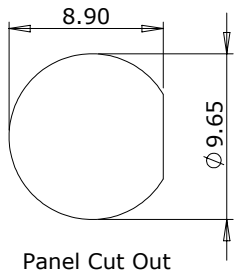
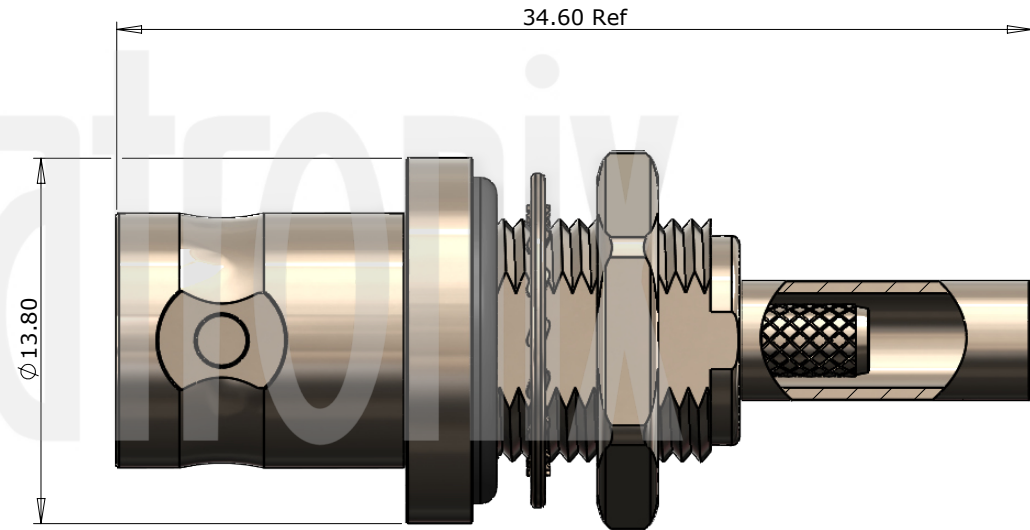
Cable Retention	Equal to breaking strain of cable
Fixing Method	Crimp
Durability	500 mating cycles

**2. Environmental**

RoHS Compliant	Yes
Temperature Range	-65 to +165 degrees C

**3. Electrical**

Dielectric Withstanding	1500 Volts RMS Maximum
Impedance	50 ohms
Interface Frequency	4 GHz
Working Voltage	500 Volts RMS Maximum



8	Washer	Steel	Nickel
7	Lock Nut	Brass	Nickel
6	O Ring	Silicon Rubber	Black
5	Ferrule	Brass	Nickel
4	Dielectric	PTFE	White
3	Pin	Brass	Gold
2	Contact	Brass	Gold
1	Body	Brass	Nickel
	<b>Description</b>	<b>Material</b>	<b>Finish</b>

Unless otherwise specified tolerances  
 0.5-5 = ±0.2  
 >5-30 = ±0.4  
 >30-120 = ±0.6  
 >120-315 = ±1.0  
 >315-1000 = ±1.6  
 Angles = ±5°  
 Units = mm

This document is the confidential property of Gigatronix Limited and may not be copied, reproduced or transmitted to any third party without written authorisation.



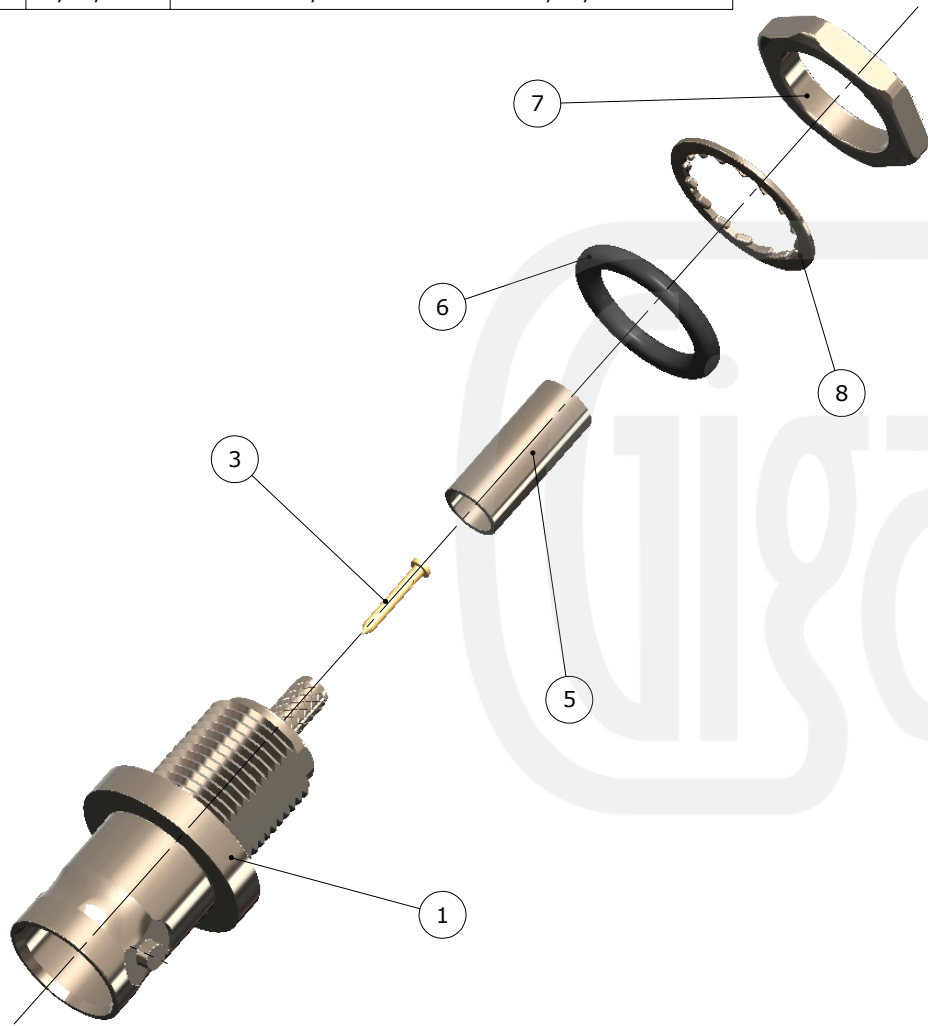
<b>Author</b>	PJP
<b>Drawn by</b>	PJP
<b>Drawing date</b>	08/08/2022
<b>Checked by</b>	Not released
<b>Checked date</b>	Not released
<b>Scale</b>	Not to scale

**Part Number** BN62-3162-C06WP

**Title:** BNC Waterproof Crimp Panel Jack, IP68, Nickel Plated, RD316

Revisions		
Issue	Date	Note
1	08/08/2022	See GTXPC/563 - checked DB 10/08/2022

# ASSEMBLY INSTRUCTIONS



## Assembly Instructions

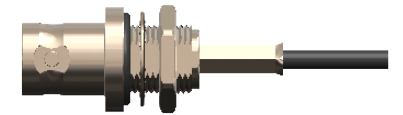
1) Slide the ferrule onto the cable and strip the cable to the dimensions as shown, taking care not to nick the centre conductor or braid.



2) Crimp the pin onto the centre core and slide the contact into the body until fully located, ensuring that the cable braid is on the outside of the connector mandril.



3) Slide the ferrule forward and crimp.



**Crimp Die Sizes:**  
3.83mm Hex., 0.72mm Sq.

**Strip Dimensions:**  
A=5.5mm, B=5.0mm, C=2.5mm



8	Washer	Steel	Nickel
7	Lock Nut	Brass	Nickel
6	O Ring	Silicon Rubber	Black
5	Ferrule	Brass	Nickel
4	Dielectric	PTFE	White
3	Pin	Brass	Gold
2	Contact	Brass	Gold
1	Body	Brass	Nickel
	<b>Description</b>	<b>Material</b>	<b>Finish</b>

Unless otherwise specified tolerances  
 0.5-5 = ±0.2  
 >5-30 = ±0.4  
 >30-120 = ±0.6  
 >120-315 = ±1.0  
 >315-1000 = ±1.6  
 Angles = ±5°  
 Units = mm

This document is the confidential property of Gigatronix Limited and may not be copied, reproduced or transmitted to any third party without written authorisation.



<b>Author</b>	PJP
<b>Drawn by</b>	PJP
<b>Drawing date</b>	08/08/2022
<b>Checked by</b>	Not released
<b>Checked date</b>	Not released
<b>Scale</b>	Not to scale

**Part Number** BN62-3162-C06WP

**Title:** BNC Waterproof Crimp Panel Jack, IP68, Nickel Plated, RD316