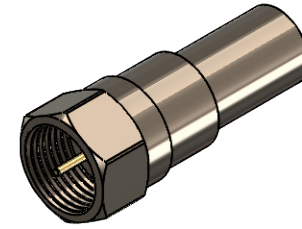


Revisions

Issue	Date	Note
2	25/04/2023	See note GTXPDC/739

DATASHEET



1. Mechanical

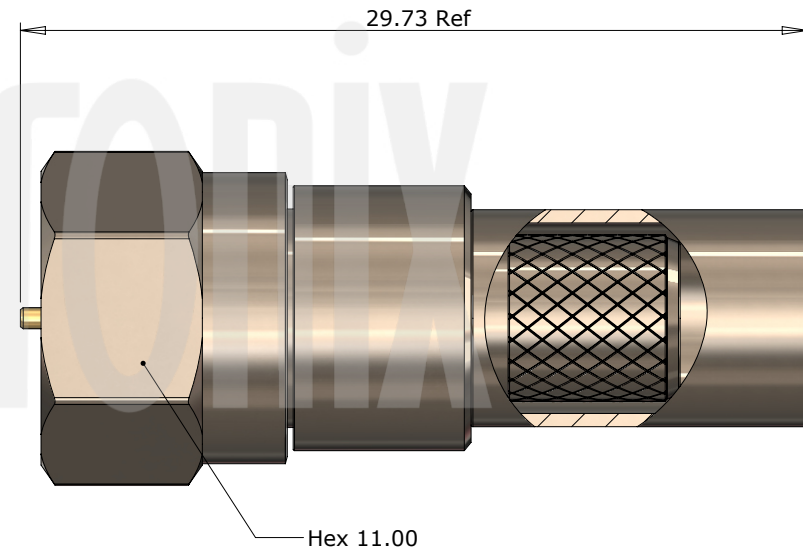
Durability 50 mating cycles
 Mating Torque 1.4 to 1.7Nm (12-15 in-lbs)

2. Environmental

RoHS Compliant Yes
 Temperature Range 65 to +165 degrees C

3. Electrical

Dielectric Withstanding 500 Volts RMS Maximum
 Impedance 75 ohms
 Interface Frequency 3 GHz
 Working Voltage 250 Volts RMS Maximum



5	Ferrule	Brass	Nickel
4	Dielectric	PTFE	White
3	Coupling Nut	Brass	Nickel
2	Pin	Brass	Gold
1	Body	Brass	Nickel
	Description	Material	Finish

Unless otherwise specified tolerances
 0.5-5 = ±0.2
 >5-30 = ±0.4
 >30-120 = ±0.6
 >120-315 = ±1.0
 >315-1000 = ±1.6
 Angles = ±5°
 Units = mm

This document is the confidential property of Gigatronix Limited and may not be copied, reproduced or transmitted to any third party without written authorisation.



Author	PJP
Drawn by	PJP
Drawing date	16/01/2020
Checked by	DB
Checked date	16/01/2020
Scale	Not to scale

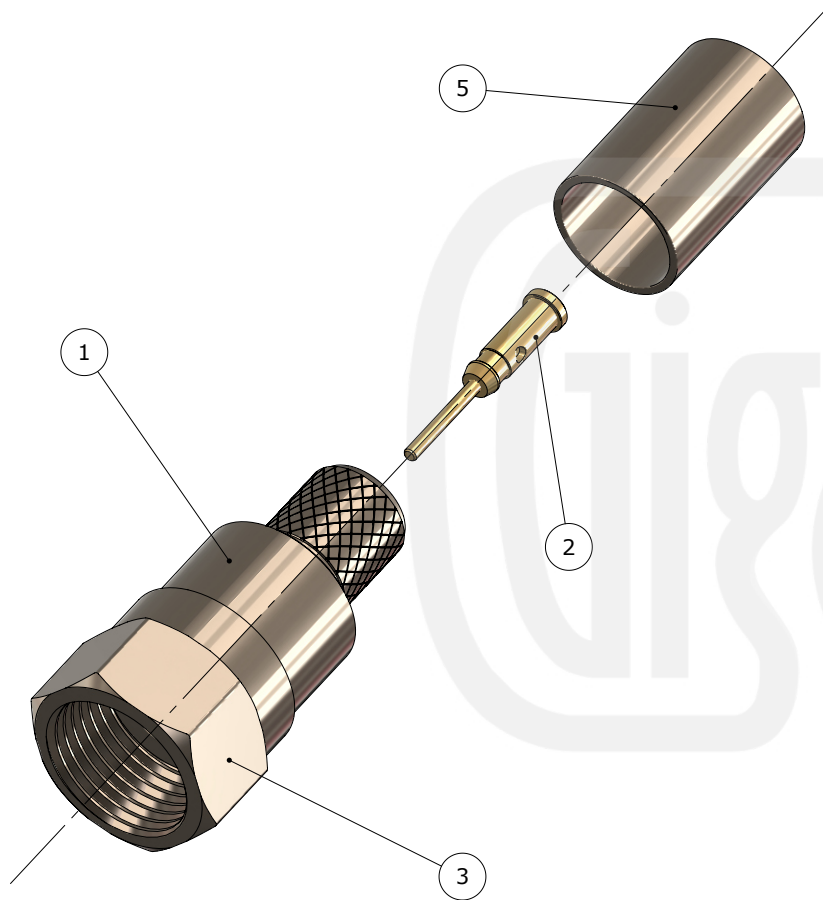
Part Number FT15-1694-C06

Title: F Type Crimp Plug, Nickel Plated, Belden 1694A, 4694R

Revisions

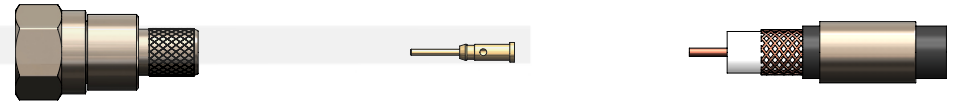
Issue	Date	Note
2	25/04/2023	See note GTXPDC/739

ASSEMBLY INSTRUCTIONS



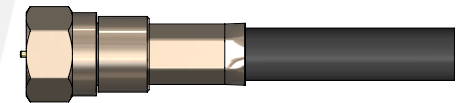
Assembly Instructions:

1) Slide the ferrule onto the cable and strip the cable to the dimensions as shown, taking care not to nick the centre conductor or braid



2) Crimp the pin onto the centre core and slide the pin into the body until fully located, ensuring that the cable braid is on the outside of the connector mandril

3) Slide the ferrule forward and crimp



Crimp Die Sizes:

7.06mm Hex., 1.69mm Hex.

Strip Dimensions:

A=8.0mm, B=4.0mm, C=4.8mm



Description	Material	Finish
5 Ferrule	Brass	Nickel
4 Dielectric	PTFE	White
3 Coupling Nut	Brass	Nickel
2 Pin	Brass	Gold
1 Body	Brass	Nickel

Unless otherwise specified tolerances
 0.5-5 = ±0.2
 >5-30 = ±0.4
 >30-120 = ±0.6
 >120-315 = ±1.0
 >315-1000 = ±1.6
 Angles = ±5°
 Units = mm

This document is the confidential property of Gigatronix Limited and may not be copied, reproduced or transmitted to any third party without written authorisation.



Author	PJP
Drawn by	PJP
Drawing date	16/01/2020
Checked by	DB
Checked date	16/01/2020
Scale	Not to scale

Part Number FT15-1694-C06

Title: F Type Crimp Plug, Nickel Plated, Belden 1694A, 4694R