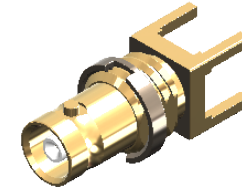


**Revisions**

Issue	Date	Note
2	09/08/2022	See Note GTXPC/566 - checked DB 10/08/2022

**DATASHEET**



**1. Mechanical**

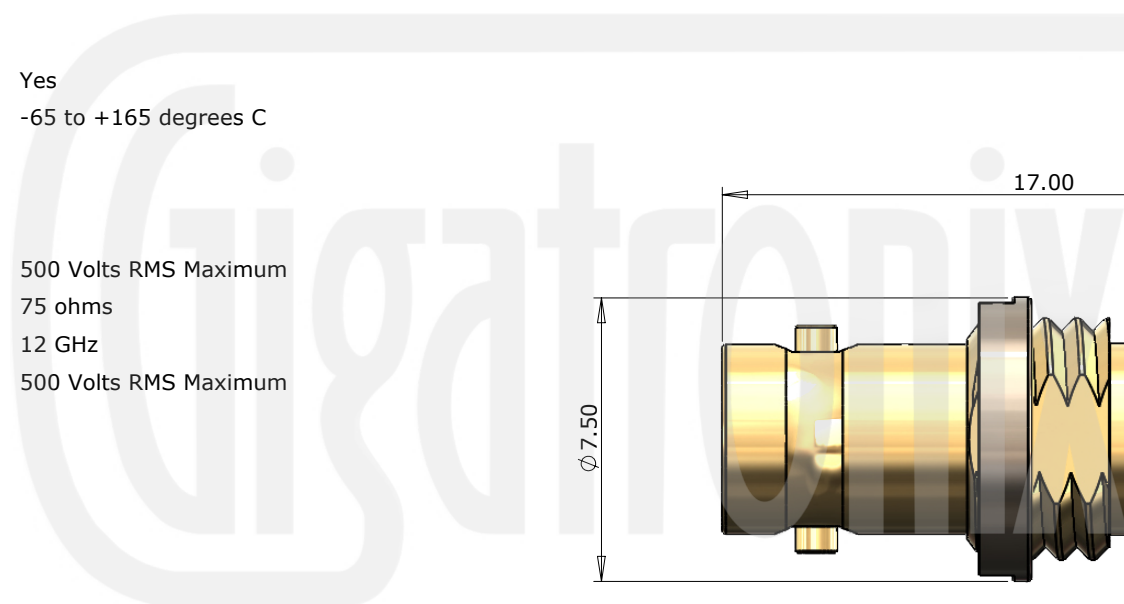
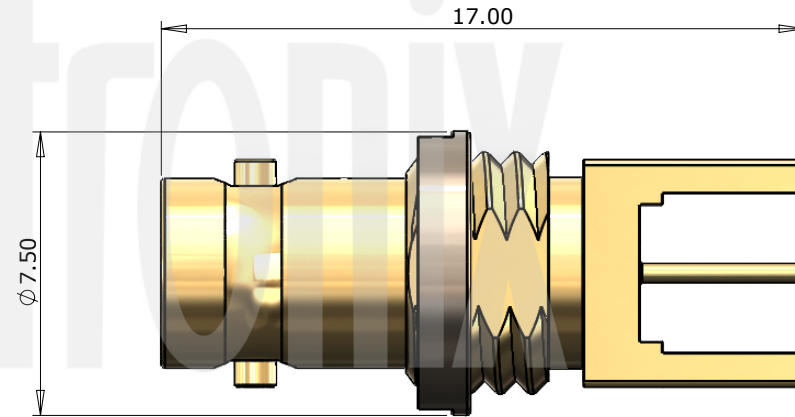
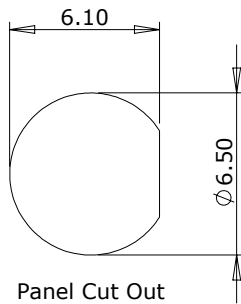
Fixing Method	PCB
Durability	500 mating cycles
Lock Nut Torque	1.1 Nm (9.7 in-lbs)

**2. Environmental**

RoHS Compliant	Yes
Temperature Range	-65 to +165 degrees C

**3. Electrical**


Dielectric Withstanding Impedance	500 Volts RMS Maximum 75 ohms
Interface Frequency	12 GHz
Working Voltage	500 Volts RMS Maximum



Description	Material	Finish
4 Dielectric	PTFE	White
3 Nut	Brass	Nickel
2 Contact	Beryllium Copper	Gold
1 Body	Brass	Gold

Unless otherwise specified tolerances  
 0.5-5 = ±0.2  
 >5-30 = ±0.4  
 >30-120 = ±0.6  
 >120-315 = ±1.0  
 >315-1000 = ±1.6  
 Angles = ±5°  
 Units = mm

This document is the confidential property of Gigatronix Limited and may not be copied, reproduced or transmitted to any third party without written authorisation.



**Part Number** HD02-X150-N01-Z  
**Title:** HD BNC 12G SDI Vertical PCB Mount Bulkhead Jack, Gold Plated, PTFE Dielectric, 75 ohms

<b>Author</b>	PJP
<b>Drawn by</b>	PJP
<b>Drawing date</b>	08/10/2019
<b>Checked by</b>	CBB
<b>Checked date</b>	08/10/2019
<b>Scale</b>	Not to scale