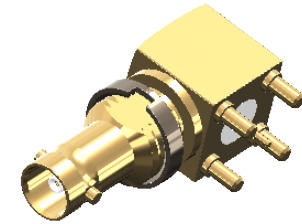


Revisions

Issue	Date	Note
1	24/08/2022	See GTXPCD/574

DATASHEET



1. Mechanical

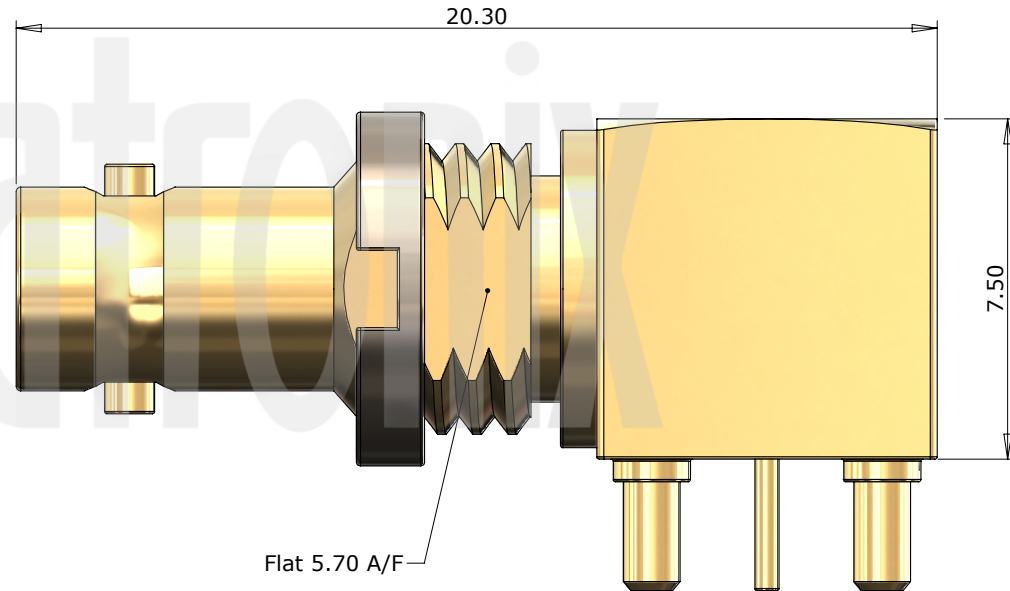
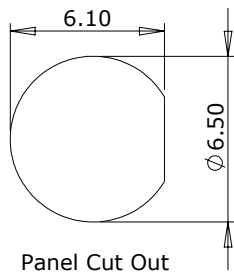
Fixing Method	PCB
Durability	500 mating cycles
Lock Nut Torque	1.1 Nm (9.7 in-lbs)

2. Environmental

RoHS Compliant	Yes
Temperature Range	-65 to +165 degrees C

3. Electrical

Dielectric Withstanding	500 Volts RMS Maximum
Impedance	75 ohms
Interface Frequency	12 GHz
Working Voltage	500 Volts RMS Maximum



Description	Material	Finish
4 Nut	Brass	Nickel
3 Dielectric	PTFE	White
2 Contact	Beryllium Copper	Gold
1 Body	Brass	Gold

Unless otherwise specified tolerances
 0.5-5 = ±0.2
 >5-30 = ±0.4
 >30-120 = ±0.6
 >120-315 = ±1.0
 >315-1000 = ±1.6
 Angles = ±5°
 Units = mm

This document is the confidential property of Gigatronix Limited and may not be copied, reproduced or transmitted to any third party without written authorisation.



Author	PJP
Drawn by	PJP
Drawing date	24/08/2022
Checked by	DB
Checked date	24/08/2022
Scale	Not to scale

Part Number HD02-X600-N01-Z
Title: HD BNC 12G SDI Right Angle PCB Mount Bulkhead Jack, Gold Plated, PTFE Dielectric, 75 ohms