

Revisions		
Issue	Date	Note
3	21/11/2022	See GTXPDC/613 - checked DB 23/11/2022

1. Mechanical

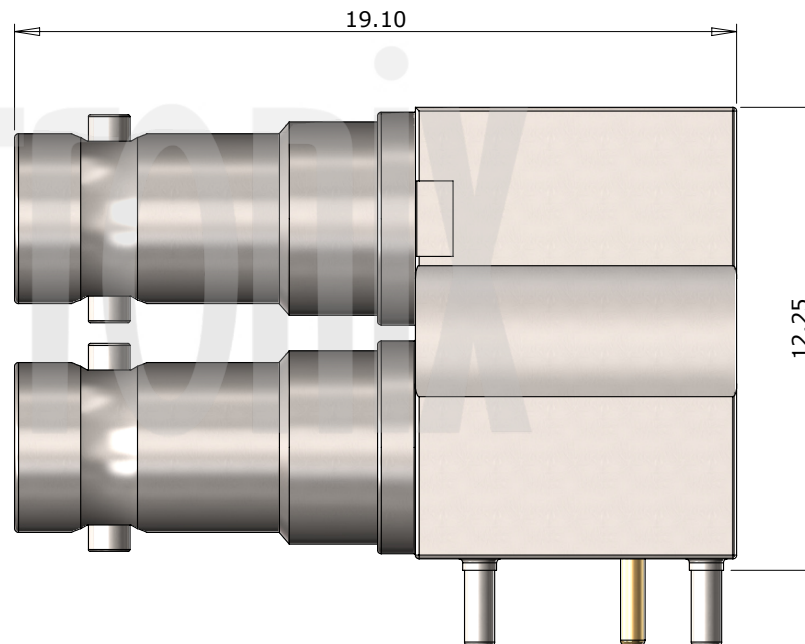
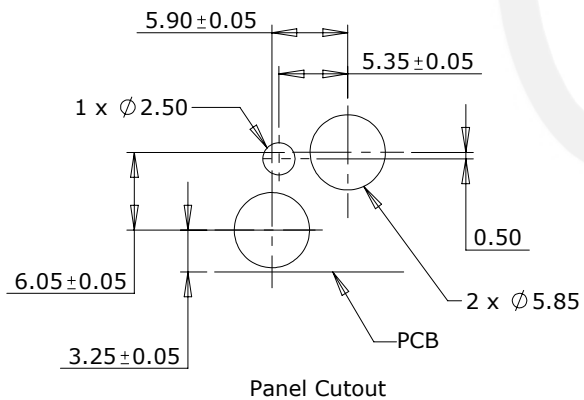
Fixing Method PCB
Durability 500 mating cycles

2. Environmental

RoHS Compliant Yes
Temperature Range -65 to +165 degrees C

3. Electrical

Dielectric Withstanding 500 Volts RMS Maximum
Impedance 75 ohms
Interface Frequency 12 GHz
Working Voltage 500 Volts RMS Maximum



4	Dielectric	PTFE	White
3	Housing	Brass	Tin
2	Contact	Beryllium Copper	Gold
1	Body	Brass	CuSnZn
Description	Material	Finish	

Unless otherwise specified tolerances
 0.5-5 = ±0.2
 >5-30 = ±0.4
 >30-120 = ±0.6
 >120-315 = ±1.0
 >315-1000 = ±1.6
 Angles = ±5°
 Units = mm

This document is the confidential property of Gigatronix Limited and may not be copied, reproduced or transmitted to any third party without written authorisation.



Author	PJP
Drawn by	PJP
Drawing date	06/11/2018
Checked by	DB
Checked date	07/11/2018
Scale	Not to scale

Part Number HD02-X945-N49-Z
Title: HD BNC 12G SDI Right Angle Double Offset PCB Mount Bulkhead Jack, Tri-Alloy Plated