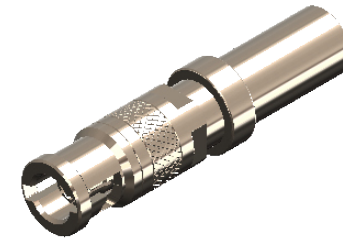


Revisions

Issue	Date	Note
4	25/05/2022	See GTXPDC/514 - checked DB 25/05/2022



1. Mechanical

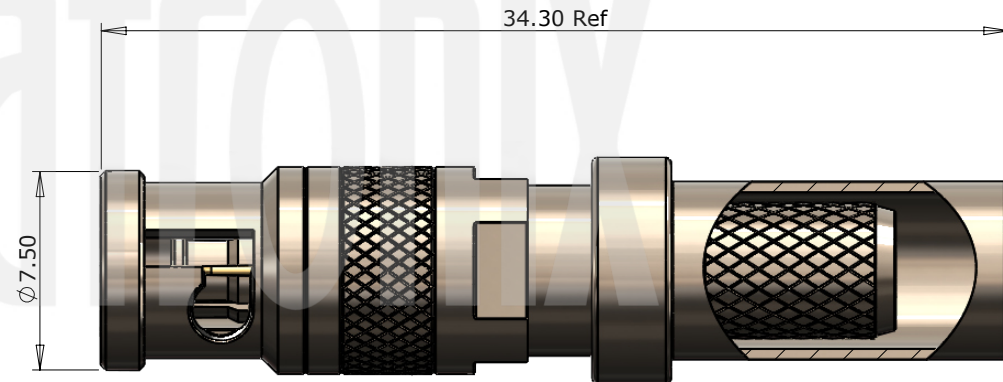
Cable Retention	Equal to breaking strain of cable
Durability	500 mating cycles
Fixing Method	Crimp

2. Environmental

RoHS Compliant	Yes
Temperature Range	-65 to +165 degrees C

3. Electrical

Dielectric Withstanding	500 Volts RMS Maximum
Impedance	75 ohms
Interface Frequency	12 GHz
Working Voltage	500 Volts RMS Maximum



Description	Material	Finish
5 Ferrule	Brass	Nickel
4 Dielectric	PTFE	White
3 Coupling Nut	Brass	Nickel
2 Pin	Beryllium Copper	Gold
1 Body	Brass	Nickel

Unless otherwise specified tolerances
 0.5-5 = ±0.2
 >5-30 = ±0.4
 >30-120 = ±0.6
 >120-315 = ±1.0
 >315-1000 = ±1.6
 Angles = ±5°
 Units = mm

This document is the confidential property of Gigatronix Limited and may not be copied, reproduced or transmitted to any third party without written authorisation.

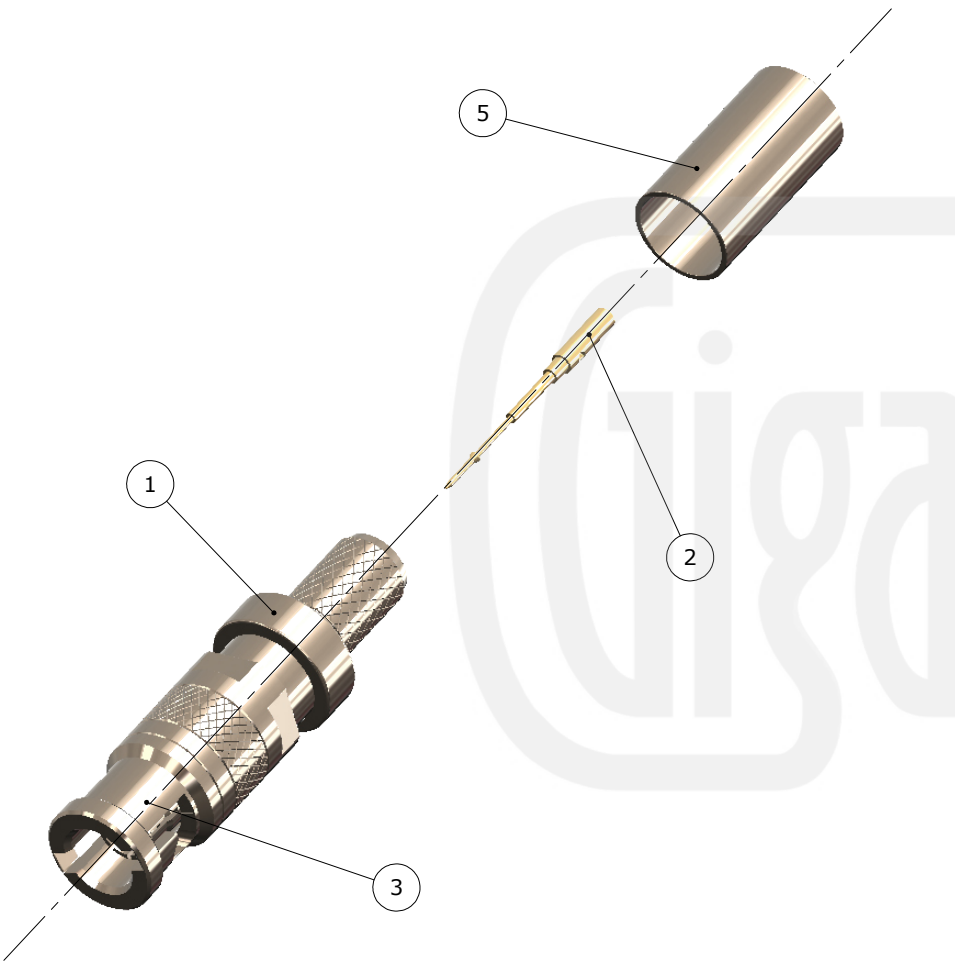


Author	PJP
Drawn by	PJP
Drawing date	19/10/2018
Checked by	CBB
Checked date	19/10/2018
Scale	Not to scale

Part Number	HD15-3300-C06-Z
Title:	HD BNC 12G SDI Crimp Plug, Nickel Plated, Canare L-3.3CUHD

Revisions		
Issue	Date	Note
4	25/05/2022	See GTXPDC/514 - checked DB 25/05/2022

ASSEMBLY INSTRUCTIONS



Assembly Instructions

1) Slide the ferrule onto the cable and strip the cable to the dimensions as shown, taking care not to nick the centre conductor or braid.



2) Crimp the pin onto the centre core and slide the pin into the body until it captivates, ensuring that the cable braid is on the outside of the connector mandril.

3) Slide the ferrule forward and crimp.



Crimp Die Sizes:
5.85mm Hex., 1.16mm sq.

Strip Dimensions:
A=8.9mm, B=2.6mm, C=4.0mm



Description	Material	Finish
5 Ferrule	Brass	Nickel
4 Dielectric	PTFE	White
3 Coupling Nut	Brass	Nickel
2 Pin	Beryllium Copper	Gold
1 Body	Brass	Nickel

Unless otherwise specified tolerances
0.5-5 = ±0.2
>5-30 = ±0.4
>30-120 = ±0.6
>120-315 = ±1.0
>315-1000 = ±1.6
Angles = ±5°
Units = mm

This document is the confidential property of Gigatronix Limited and may not be copied, reproduced or transmitted to any third party without written authorisation.



Author	PJP
Drawn by	PJP
Drawing date	19/10/2018
Checked by	CBB
Checked date	19/10/2018
Scale	Not to scale

Part Number	HD15-3300-C06-Z
Title:	HD BNC 12G SDI Crimp Plug, Nickel Plated, Canare L-3.3CUHD