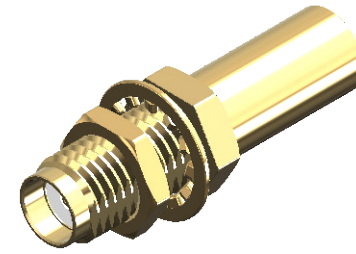


**Revisions**

Issue	Date	Note
3	05/09/2024	See GTXPDC/996

**DATASHEET**



**1. Mechanical**

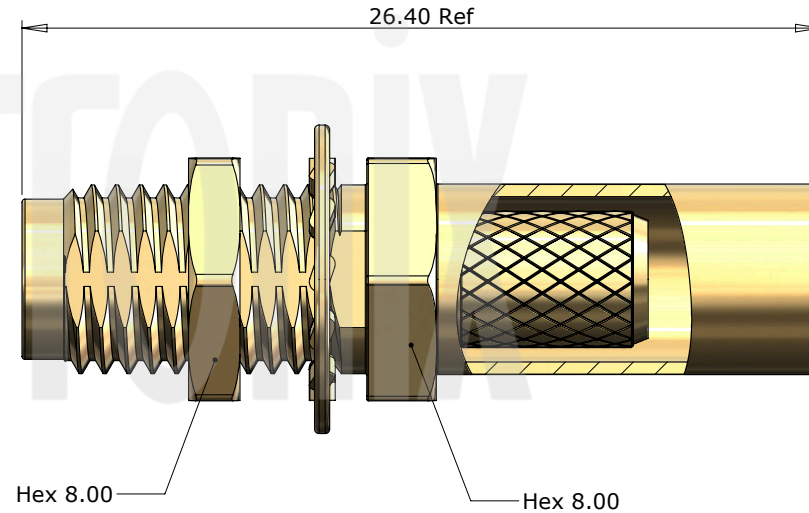
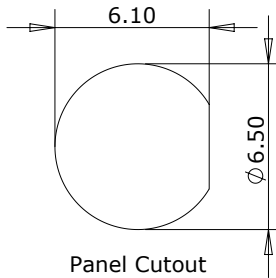
Cable Retention	Equal to breaking strain of cable
Durability	500 mating cycles
Lock Nut Torque	0.9 to 1.1Nm / 8-10 in-lbs
Contact Termination	Crimp or solder

**2. Environmental**

RoHS Compliant	Yes
Temperature Range	-65 to +165 degrees C

**3. Electrical**

Dielectric Withstanding	1000 Volts RMS Maximum
Impedance	50 ohms
Interface Frequency	12.4 GHz
Working Voltage	500 Volts RMS Maximum



	Description	Material	Finish
6	Lock Nut	Brass	Gold
5	Washer	Phosphor Bronze	Gold
4	Ferrule	Brass	Gold
3	Dielectric	PTFE	White
2	Contact	Brass	Gold
1	Body	Brass	Gold

Unless otherwise specified tolerances  
 0.5-5 = ±0.2  
 >5-30 = ±0.4  
 >30-120 = ±0.6  
 >120-315 = ±1.0  
 >315-1000 = ±1.6  
 Angles = ±5°  
 Units = mm

This document is the confidential property of Gigatronix Limited and may not be copied, reproduced or transmitted to any third party without written authorisation.



<b>Author</b>	PJP
<b>Drawn by</b>	PJP
<b>Drawing date</b>	14/10/2021
<b>Checked by</b>	DB
<b>Checked date</b>	05/11/2021
<b>Scale</b>	Not to scale

<b>Part Number</b>	MA02-0058-C01-8
<b>Title:</b>	SMA Crimp Bulkhead Jack, Gold Plated, 8mm Hex Flange, RG58, LBC195

**Revisions**

Issue	Date	Note
3	05/09/2024	See GTXPDC/996

**ASSEMBLY INSTRUCTIONS**

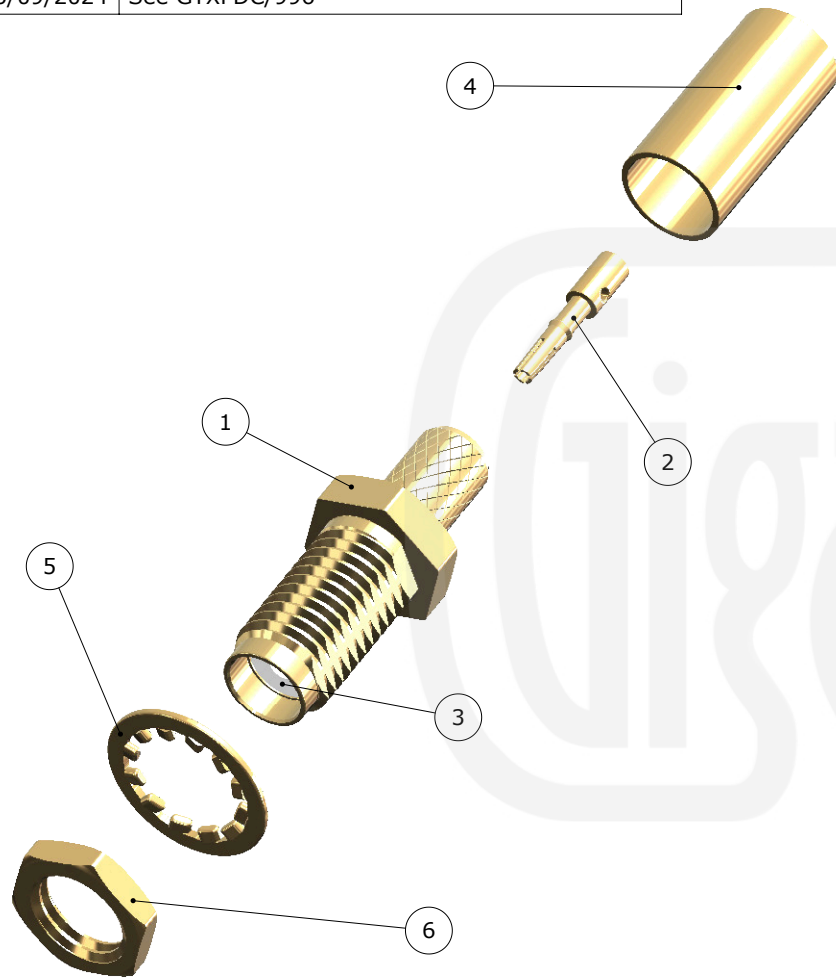
**Assembly Instructions**

1) Slide the ferrule onto the cable and strip the cable to the dimensions as shown, taking care not to nick the centre conductor or braid



2) Crimp or solder the contact onto the centre core and then slide the contact into the body until it captivates, ensuring that the cable braid is on the outside of the connector mandril

3) Slide the ferrule forward and crimp



**Crimp Die Sizes:**  
5.41mm Hex., 1.69mm Hex.

**Strip Dimensions:**  
A=7.0mm, B=3.5mm, C=2.5mm



Description	Material	Finish
6 Lock Nut	Brass	Gold
5 Washer	Phosphor Bronze	Gold
4 Ferrule	Brass	Gold
3 Dielectric	PTFE	White
2 Contact	Brass	Gold
1 Body	Brass	Gold

Unless otherwise specified tolerances  
 0.5-5 = ±0.2  
 >5-30 = ±0.4  
 >30-120 = ±0.6  
 >120-315 = ±1.0  
 >315-1000 = ±1.6  
 Angles = ±5°  
 Units = mm

This document is the confidential property of Gigatronix Limited and may not be copied, reproduced or transmitted to any third party without written authorisation.



<b>Author</b>	PJP
<b>Drawn by</b>	PJP
<b>Drawing date</b>	14/10/2021
<b>Checked by</b>	DB
<b>Checked date</b>	05/11/2021
<b>Scale</b>	Not to scale

**Part Number** MA02-0058-C01-8  
**Title:** SMA Crimp Bulkhead Jack, Gold Plated, 8mm Hex Flange, RG58, LBC195