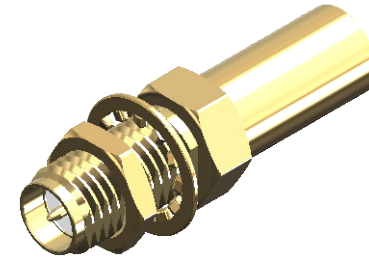


**Revisions**

Issue	Date	Note
2	15/11/2023	See GTXPDC/872



**1. Mechanical**

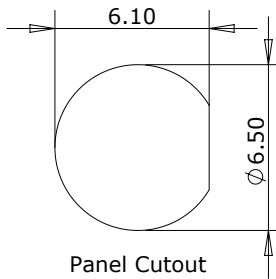
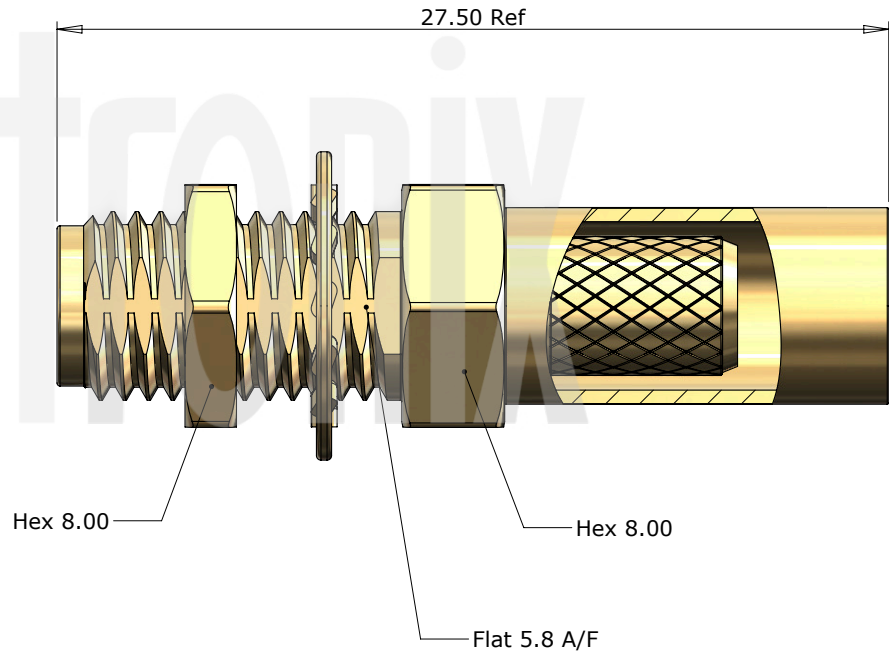
Cable Retention	Equal to breaking strain of cable
Durability	500 mating cycles
Lock Nut Torque	0.9 to 1.1Nm / 8-10 in-lbs
Contact Termination	Solder
Fixing Method	Crimp

**2. Environmental**

RoHS Compliant	Yes
Temperature Range	-65 to +165 degrees C

**3. Electrical**

Dielectric Withstanding	1000 Volts RMS Maximum
Impedance	50 ohms
Interface Frequency	12.4 GHz
Working Voltage	500 Volts RMS Maximum



Panel Cutout

Description	Material	Finish
6 Lock Nut	Brass	Gold
5 Washer	Phosphor Bronze	Gold
4 Ferrule	Brass	Gold
3 Dielectric	PTFE	White
2 Pin	Brass	Gold
1 Body	Brass	Gold

Unless otherwise specified tolerances  
 0.5-5 = ±0.2  
 >5-30 = ±0.4  
 >30-120 = ±0.6  
 >120-315 = ±1.0  
 >315-1000 = ±1.6  
 Angles = ±5°  
 Units = mm

This document is the confidential property of Gigatronix Limited and may not be copied, reproduced or transmitted to any third party without written authorisation.



<b>Author</b>	PJP
<b>Drawn by</b>	PJP
<b>Drawing date</b>	28/02/2023
<b>Checked by</b>	DB
<b>Checked date</b>	06/03/2023
<b>Scale</b>	Not to scale

**Part Number** MA02-0058-C01-R

**Title:** SMA Reverse Polarity Crimp Bulkhead Jack, Gold Plated, 8mm Hex Flange, RG58, LBC195, URM43

**Revisions**

Issue	Date	Note
2	15/11/2023	See GTXPDC/872

**ASSEMBLY INSTRUCTIONS**

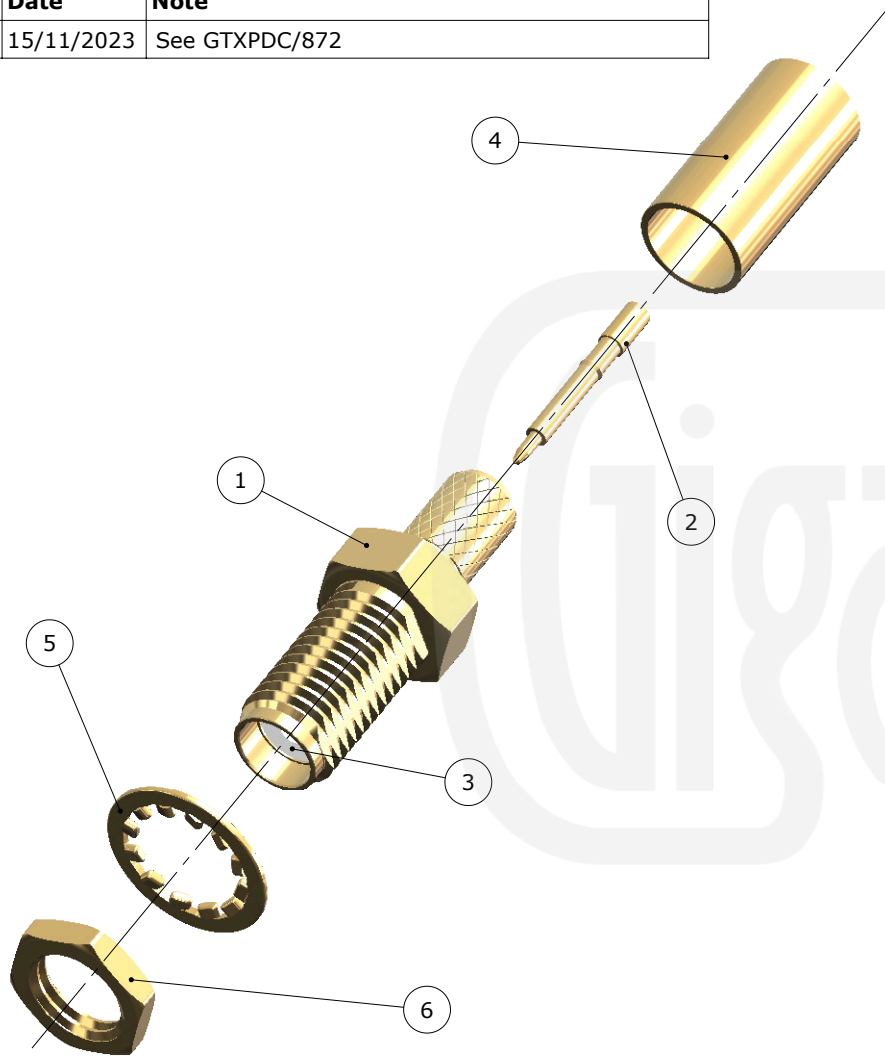
**Assembly Instructions**

1) Slide the ferrule onto the cable and strip the cable to the dimensions as shown, taking care not to nick the centre conductor or braid



2) Solder the pin onto the centre core and then slide the pin into the body until it captivates, ensuring that the cable braid is on the outside of the connector mandril.

3) Slide the ferrule forward and crimp



**Crimp Die Sizes:**  
5.41mm Hex., Solder centre core

**Strip Dimensions:**  
A=7.0mm, B=2.5mm, C=2.5mm



Description	Material	Finish
6 Lock Nut	Brass	Gold
5 Washer	Phosphor Bronze	Gold
4 Ferrule	Brass	Gold
3 Dielectric	PTFE	White
2 Pin	Brass	Gold
1 Body	Brass	Gold

Unless otherwise specified tolerances  
 0.5-5 = ±0.2  
 >5-30 = ±0.4  
 >30-120 = ±0.6  
 >120-315 = ±1.0  
 >315-1000 = ±1.6  
 Angles = ±5°  
 Units = mm

This document is the confidential property of Gigatronix Limited and may not be copied, reproduced or transmitted to any third party without written authorisation.



<b>Author</b>	PJP
<b>Drawn by</b>	PJP
<b>Drawing date</b>	28/02/2023
<b>Checked by</b>	DB
<b>Checked date</b>	06/03/2023
<b>Scale</b>	Not to scale

**Part Number** MA02-0058-C01-R

**Title:** SMA Reverse Polarity Crimp Bulkhead Jack, Gold Plated, 8mm Hex Flange, RG58, LBC195, URM43