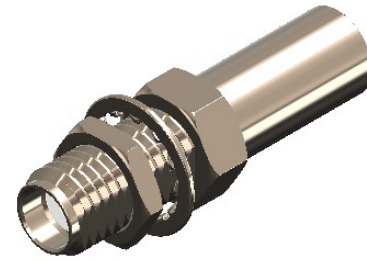


Revisions

Issue	Date	Note
1	15/10/2021	See note GTXPDC/327

DATASHEET



1. Mechanical

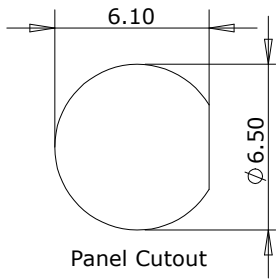
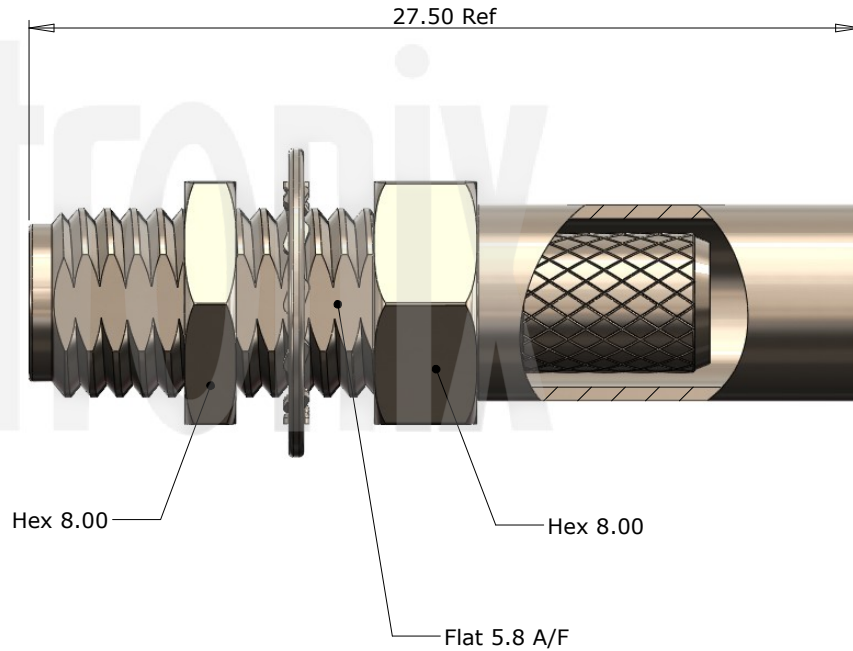
Cable Retention	Equal to breaking strain of cable
Durability	500 mating cycles
Lock Nut Torque	0.9 to 1.1Nm / 8-10 in-lbs

2. Environmental

RoHS Compliant	Yes
Temperature Range	-65 to +165 degrees C

3. Electrical

Dielectric Withstanding	1000 Volts RMS Maximum
Impedance	50 ohms
Interface Frequency	12.4 GHz
Working Voltage	500 Volts RMS Maximum



Description	Material	Finish
6 Lock Nut	Brass	Nickel
5 Washer	SS41	Nickel
4 Ferrule	Brass	Nickel
3 Dielectric	PTFE	White
2 Contact	Beryllium Copper	Gold
1 Body	Brass	Nickel

Unless otherwise specified tolerances
 0.5-5 = ±0.2
 >5-30 = ±0.4
 >30-120 = ±0.6
 >120-315 = ±1.0
 >315-1000 = ±1.6
 Angles = ±5°
 Units = mm

This document is the confidential property of Gigatronix Limited and may not be copied, reproduced or transmitted to any third party without written authorisation.



Author	PJP
Drawn by	PJP
Drawing date	15/10/2021
Checked by	DB
Checked date	08/11/2021
Scale	Not to scale

Part Number MA02-0058-C06-8
Title: SMA Crimp Bulkhead Jack, Nickel Plated, 8mm Hex Flange, RG58, LBC195, URM43

Revisions

Issue	Date	Note
1	15/10/2021	See note GTXPDC/327

ASSEMBLY INSTRUCTIONS

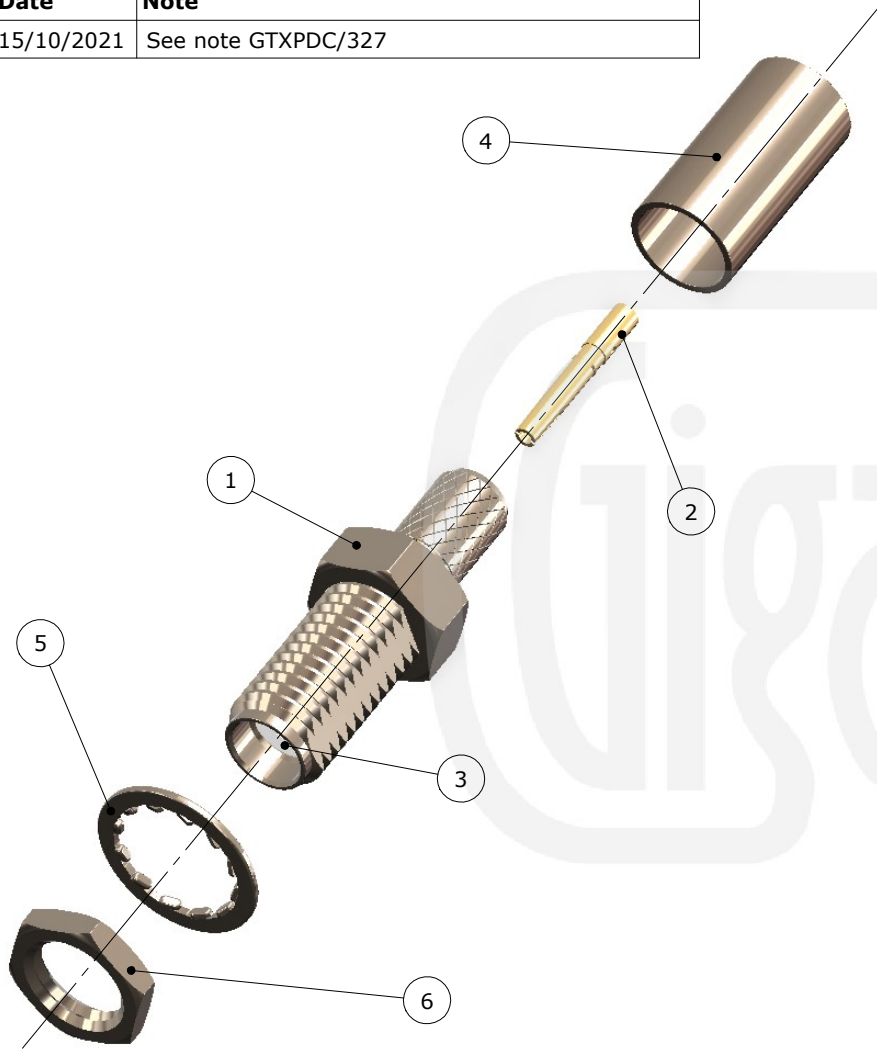
Assembly Instructions

1) Slide the ferrule onto the cable and strip the cable to the dimensions as shown, taking care not to nick the centre conductor or braid



2) Solder the contact onto the centre core and then slide the contact into the body, ensuring that the cable braid is on the outside of the connector mandril and that the contact is located in accordance with MIL-C-39012 interface dimensional requirements.

3) Slide the ferrule forward and crimp



Crimp Hex. Sizes:
5.41mm Hex, Solder centre core

Strip Dimensions:
A=8.0mm, B=2.5mm, C=2.5mm



Description	Material	Finish
6 Lock Nut	Brass	Nickel
5 Washer	SS41	Nickel
4 Ferrule	Brass	Nickel
3 Dielectric	PTFE	White
2 Contact	Beryllium Copper	Gold
1 Body	Brass	Nickel

Unless otherwise specified tolerances
 0.5-5 = ±0.2
 >5-30 = ±0.4
 >30-120 = ±0.6
 >120-315 = ±1.0
 >315-1000 = ±1.6
 Angles = ±5°
 Units = mm

This document is the confidential property of Gigatronix Limited and may not be copied, reproduced or transmitted to any third party without written authorisation.



Author	PJP
Drawn by	PJP
Drawing date	15/10/2021
Checked by	DB
Checked date	08/11/2021
Scale	Not to scale

Part Number MA02-0058-C06-8
Title: SMA Crimp Bulkhead Jack, Nickel Plated, 8mm Hex Flange, RG58, LBC195, URM43