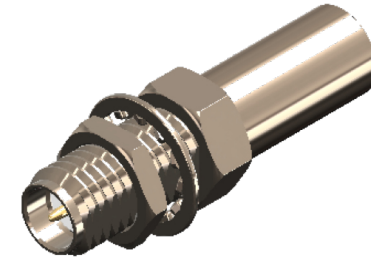


Revisions

Issue	Date	Note
1	28/02/2023	See note GTXPDC/683

DATASHEET



1. Mechanical

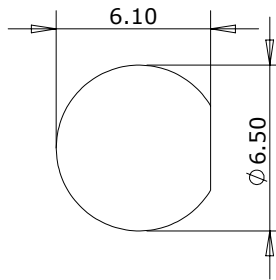
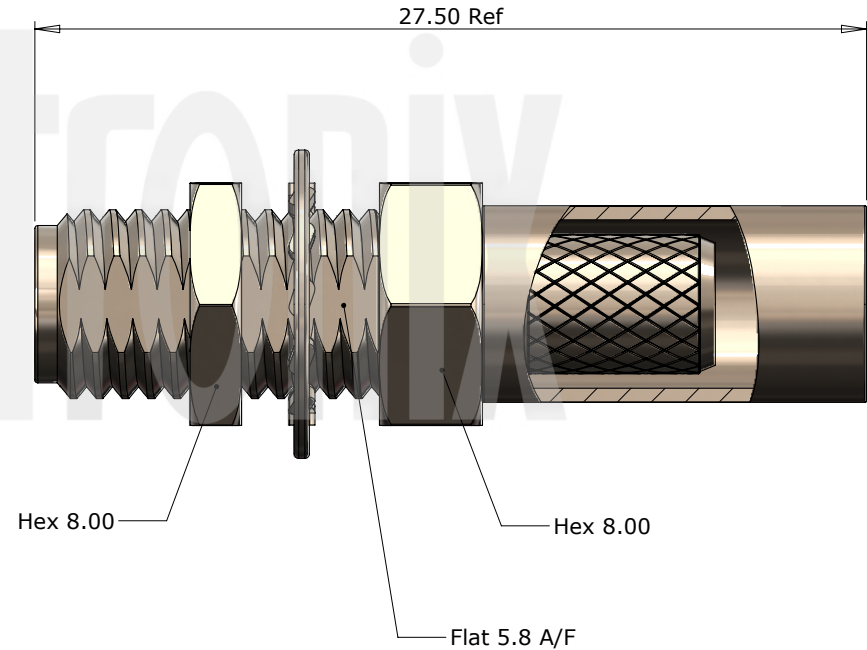
Cable Retention	Equal to breaking strain of cable
Durability	500 mating cycles
Lock Nut Torque	0.9 to 1.1Nm / 8-10 in-lbs
Contact Termination	Solder

2. Environmental

RoHS Compliant	Yes
Temperature Range	-65 to +165 degrees C

3. Electrical

Dielectric Withstanding	1000 Volts RMS Maximum
Impedance	50 ohms
Interface Frequency	12.4 GHz
Working Voltage	500 Volts RMS Maximum



Panel Cutout

Description	Material	Finish
6 Lock Nut	Brass	Nickel
5 Washer	SS41	Nickel
4 Ferrule	Brass	Nickel
3 Dielectric	PTFE	White
2 Pin	Brass	Gold
1 Body	Brass	Nickel

Unless otherwise specified tolerances
 0.5-5 = ±0.2
 >5-30 = ±0.4
 >30-120 = ±0.6
 >120-315 = ±1.0
 >315-1000 = ±1.6
 Angles = ±5°
 Units = mm

This document is the confidential property of Gigatronix Limited and may not be copied, reproduced or transmitted to any third party without written authorisation.



Part Number MA02-0058-C06-R
Title: SMA Reverse Polarity Crimp Bulkhead Jack, Nickel Plated, 8mm Hex Flange, RG58, LBC195, URM43

Author	PJP
Drawn by	PJP
Drawing date	28/02/2023
Checked by	DB
Checked date	01/03/2023
Scale	Not to scale

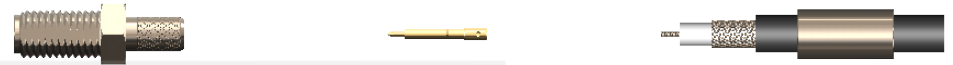
Revisions

Issue	Date	Note
1	28/02/2023	See note GTXPDC/683

ASSEMBLY INSTRUCTIONS

Assembly Instructions

1) Slide the ferrule onto the cable and strip the cable to the dimensions as shown, taking care not to nick the centre conductor or braid



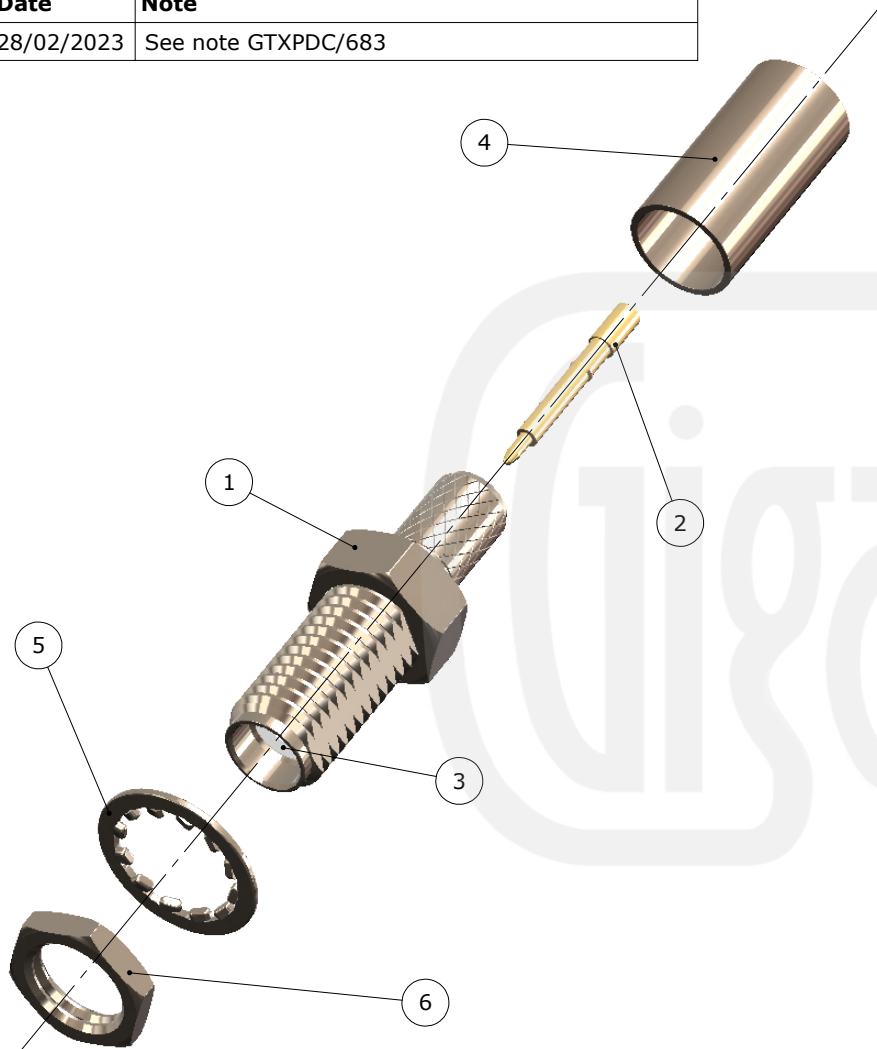
2) Solder the pin onto the centre core and then slide the pin into the body until it captivates, ensuring that the cable braid is on the outside of the connector mandril



3) Slide the ferrule forward and crimp

Crimp Die Sizes:
5.41mm Hex., Solder centre core

Strip Dimensions:
A=7.0mm, B=2.5mm, C=2.5mm



Description	Material	Finish
6 Lock Nut	Brass	Nickel
5 Washer	SS41	Nickel
4 Ferrule	Brass	Nickel
3 Dielectric	PTFE	White
2 Pin	Brass	Gold
1 Body	Brass	Nickel

Unless otherwise specified tolerances
 0.5-5 = ±0.2
 >5-30 = ±0.4
 >30-120 = ±0.6
 >120-315 = ±1.0
 >315-1000 = ±1.6
 Angles = ±5°
 Units = mm

This document is the confidential property of Gigatronix Limited and may not be copied, reproduced or transmitted to any third party without written authorisation.



Author	PJP
Drawn by	PJP
Drawing date	28/02/2023
Checked by	DB
Checked date	01/03/2023
Scale	Not to scale
Part Number	MA02-0058-C06-R
Title:	SMA Reverse Polarity Crimp Bulkhead Jack, Nickel Plated, 8mm Hex Flange, RG58, LBC195, URM43