

Revisions

Issue	Date	Note
2	09/05/2023	See GTXPDC/771

1. Mechanical

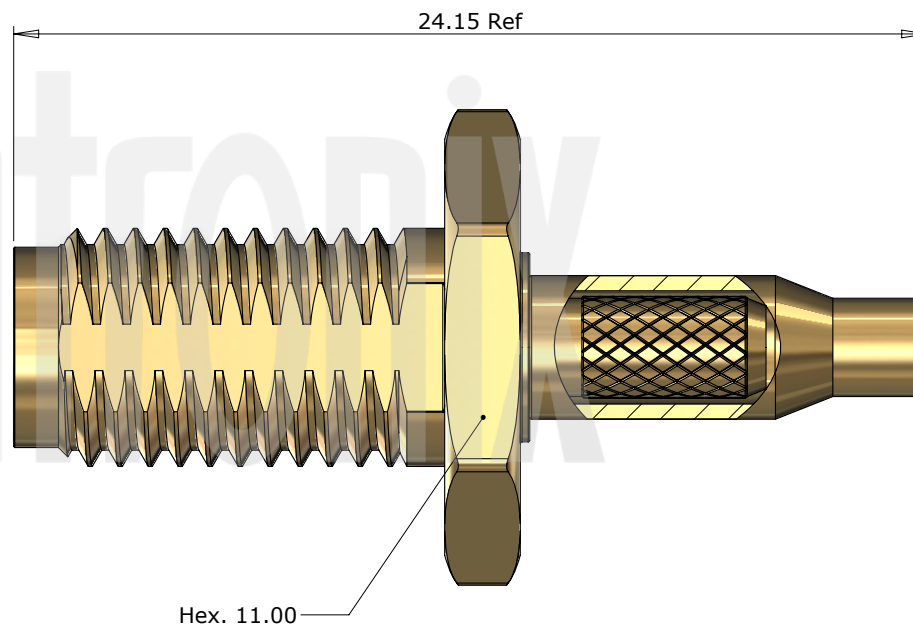
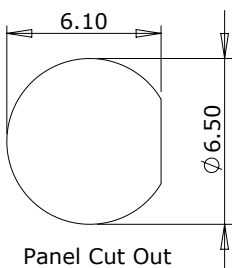
Cable Retention	Equal to breaking strain of cable
Durability	500 mating cycles
Lock Nut Torque	0.9 to 1.1Nm / 8-10 in-lbs
Contact Termination	Solder

2. Environmental

RoHS Compliant	Yes
Temperature Range	-65 to +165 degrees C
IP Rating	IP68 Unmated

3. Electrical

Dielectric Withstanding	750 Volts RMS Maximum
Impedance	50 ohms
Interface Frequency	12.4 GHz
Working Voltage	335 Volts RMS Maximum



10	Tube	Brass	Nickel
9	Insulator	PTFE	White
8	Lock Nut	Brass	Gold
7	Washer	Phosphor Bronze	Gold
6	O Ring	Silicone	Black
5	Ferrule	Brass	Gold
4	Dielectric	PTFE	White
3	Pin	Brass	Gold
2	Contact	Beryllium Copper	Gold
1	Body	Brass	Gold
	Description	Material	Finish

Unless otherwise specified tolerances
 0.5-5 = ±0.2
 >5-30 = ±0.4
 >30-120 = ±0.6
 >120-315 = ±1.0
 >315-1000 = ±1.6
 Angles = ±5°
 Units = mm

This document is the confidential property of Gigatronix Limited and may not be copied, reproduced or transmitted to any third party without written authorisation.



Author	PJP
Drawn by	PJP
Drawing date	27/04/2018
Checked by	DB
Checked date	27/04/2018
Scale	Not to scale

Part Number MA02-0113-C01WP

Title: SMA Waterproof Crimp Bulkhead Jack, IP68, Gold Plated, 11mm Hex Flange, 1.13mm Cable