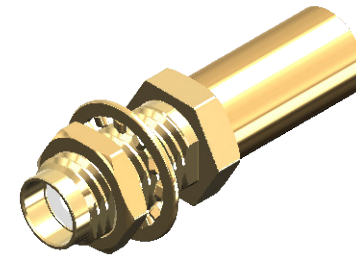


Revisions

Issue	Date	Note
2	14/11/2023	See GTXPDC/870

DATASHEET



1. Mechanical

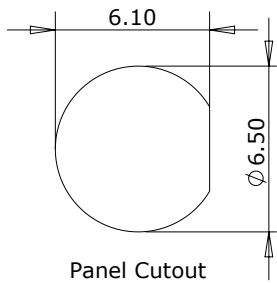
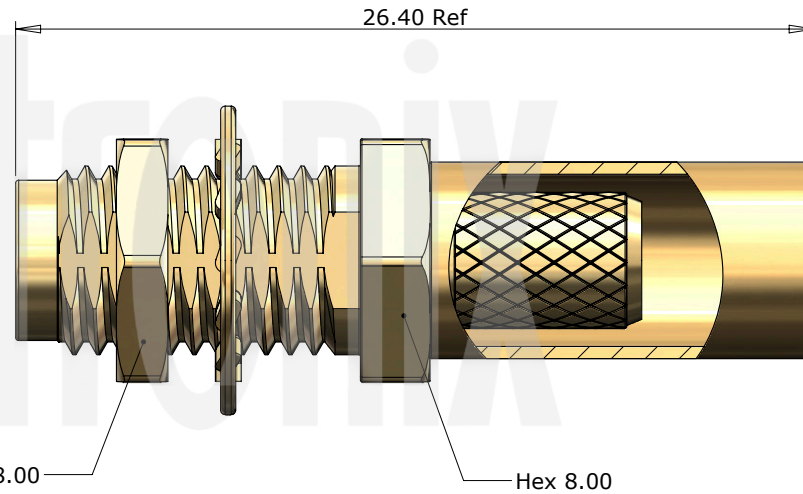
Cable Retention	Equal to breaking strain of cable
Durability	500 mating cycles
Lock Nut Torque	0.9 to 1.1Nm / 8-10 in-lbs
Contact Termination	Solder
Fixing Method	Crimp

2. Environmental

RoHS Compliant	Yes
Temperature Range	-65 to +165 degrees C

3. Electrical

Dielectric Withstanding	1000 Volts RMS Maximum
Impedance	50 ohms
Interface Frequency	12.4 GHz
Working Voltage	500 Volts RMS Maximum



Description	Material	Finish
6 Lock Nut	Brass	Gold
5 Washer	Phosphor Bronze	Gold
4 Ferrule	Brass	Gold
3 Dielectric	PTFE	White
2 Contact	Brass	Gold
1 Body	Brass	Gold

Unless otherwise specified tolerances
 0.5-5 = ±0.2
 >5-30 = ±0.4
 >30-120 = ±0.6
 >120-315 = ±1.0
 >315-1000 = ±1.6
 Angles = ±5°
 Units = mm

This document is the confidential property of Gigatronix Limited and may not be copied, reproduced or transmitted to any third party without written authorisation.



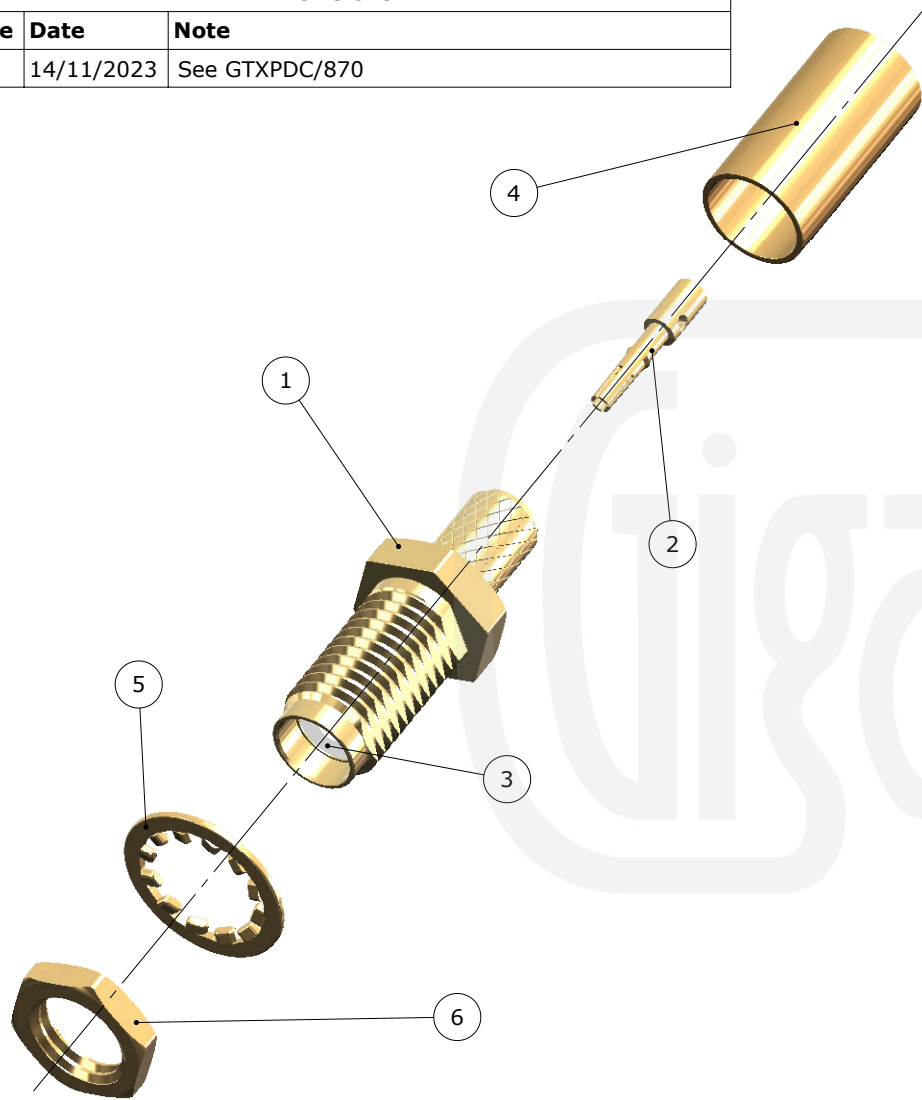
Author	PJP
Drawn by	PJP
Drawing date	14/10/2021
Checked by	DB
Checked date	08/11/2021
Scale	Not to scale

Part Number	MA02-0400-C01-8
Title:	SMA Crimp Bulkhead Jack, Gold Plated, 8mm Hex Flange, RG142, RG223, RG400

Revisions

Issue	Date	Note
2	14/11/2023	See GTXPDC/870

ASSEMBLY INSTRUCTIONS



Assembly Instructions

1) Slide the ferrule onto the cable and strip the cable to the dimensions as shown, taking care not to nick the centre conductor or braid



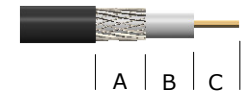
2) Solder the contact onto the centre core and then slide the contact into the body until it captivates, ensuring that the cable braid is on the outside of the connector mandril

3) Slide the ferrule forward and crimp



Crimp Die Sizes:
5.41mm Hex., Solder centre core

Strip Dimensions:
A=8.0mm, B=3.5mm, C=2.5mm



Description	Material	Finish
6 Lock Nut	Brass	Gold
5 Washer	Phosphor Bronze	Gold
4 Ferrule	Brass	Gold
3 Dielectric	PTFE	White
2 Contact	Brass	Gold
1 Body	Brass	Gold

Unless otherwise specified tolerances
 0.5-5 = ±0.2
 >5-30 = ±0.4
 >30-120 = ±0.6
 >120-315 = ±1.0
 >315-1000 = ±1.6
 Angles = ±5°
 Units = mm

This document is the confidential property of Gigatronix Limited and may not be copied, reproduced or transmitted to any third party without written authorisation.



Author	PJP
Drawn by	PJP
Drawing date	14/10/2021
Checked by	DB
Checked date	08/11/2021
Scale	Not to scale

Part Number MA02-0400-C01-8
Title: SMA Crimp Bulkhead Jack, Gold Plated, 8mm Hex Flange, RG142, RG223, RG400