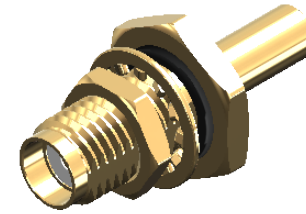


Revisions

Issue	Date	Note
4	20/02/2023	See GTXPDC/673 - checked DB 21/10/2023

DATASHEET



1. Mechanical

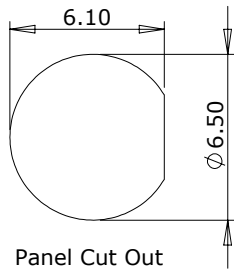
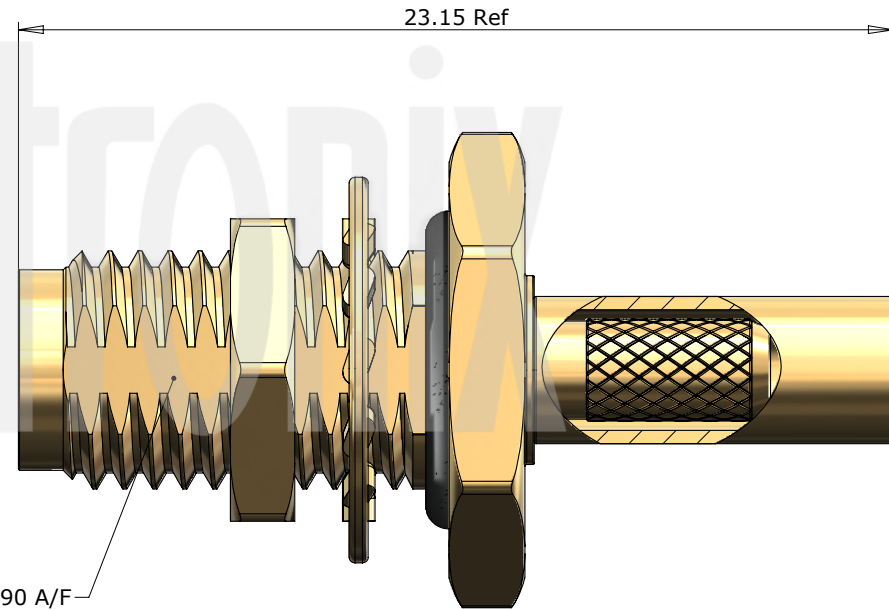
Cable Retention	Equal to breaking strain of cable
Durability	500 mating cycles
Lock Nut Torque	0.9 to 1.1Nm / 8-10 in-lbs
Contact Termination	Solder

2. Environmental

RoHS Compliant	Yes
Temperature Range	-65 to +165 degrees C

3. Electrical

Dielectric Withstanding	750 Volts RMS Maximum
Impedance	50 ohms
Interface Frequency	12.4 GHz
Working Voltage	335 Volts RMS Maximum



8	Lock Nut	Brass	Gold
7	Washer	Phosphor Bronze	Gold
6	O Ring	Silicone	Black
5	Ferrule	Brass	Gold
4	Dielectric	PTFE	White
3	Pin	Brass	Gold
2	Contact	Beryllium Copper	Gold
1	Body	Brass	Gold
	Description	Material	Finish

Unless otherwise specified tolerances
 0.5-5 = ±0.2
 >5-30 = ±0.4
 >30-120 = ±0.6
 >120-315 = ±1.0
 >315-1000 = ±1.6
 Angles = ±5°
 Units = mm

This document is the confidential property of Gigatronix Limited and may not be copied, reproduced or transmitted to any third party without written authorisation.



Author	PJP
Drawn by	PJP
Drawing date	13/05/2015
Checked by	DB
Checked date	24/05/2018
Scale	4 : 1

Part Number	MA02-3161-C01WP
Title:	SMA Waterproof Crimp Bulkhead Jack, IP68, Gold Plated, RG174, LBC100, RG316

Revisions

Issue	Date	Note
4	20/02/2023	See GTXPCD/673 - checked DB 21/10/2023

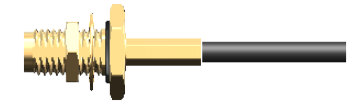
ASSEMBLY INSTRUCTIONS

Assembly Instructions:

1) Slide the ferrule onto the cable and strip the cable to the dimensions as shown, taking care not to nick the centre conductor or braid



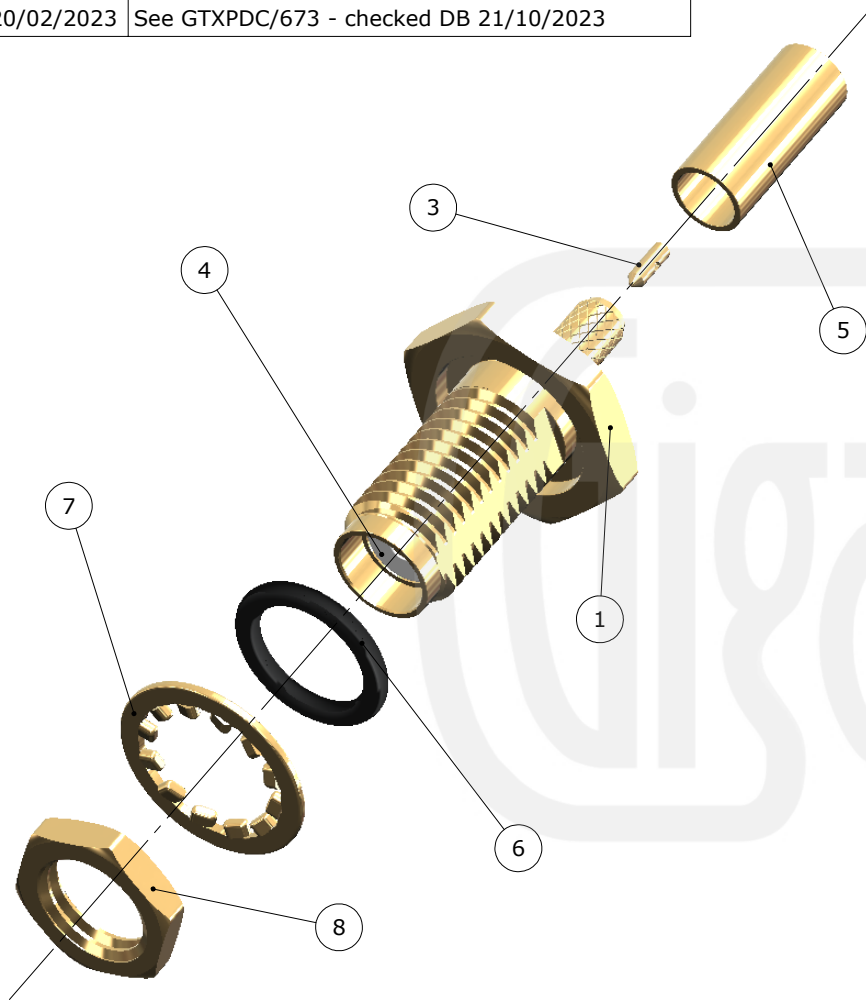
2) Solder the pin onto the centre core and slide the pin into the body, ensuring that the cable braid is on the outside of the connector mandril and that the pin is fully located



3) Slide the ferrule forward and crimp

Crimp Die Sizes:
3.25mm Hex., Solder centre core

Strip Dimensions:
A=6.0mm, B=4.0mm, C=1.5mm



8	Lock Nut	Brass	Gold
7	Washer	Phosphor Bronze	Gold
6	O Ring	Silicone	Black
5	Ferrule	Brass	Gold
4	Dielectric	PTFE	White
3	Pin	Brass	Gold
2	Contact	Berllium Copper	Gold
1	Body	Brass	Gold
	Description	Material	Finish

Unless otherwise specified tolerances
 0.5-5 = ±0.2
 >5-30 = ±0.4
 >30-120 = ±0.6
 >120-315 = ±1.0
 >315-1000 = ±1.6
 Angles = ±5°
 Units = mm

This document is the confidential property of Gigatronix Limited and may not be copied, reproduced or transmitted to any third party without written authorisation.



Author	PJP
Drawn by	PJP
Drawing date	13/05/2015
Checked by	DB
Checked date	24/05/2018
Scale	Not to scale

Part Number MA02-3161-C01WP
Title: SMA Waterproof Crimp Bulkhead Jack, IP68, Gold Plated, RG174, LBC100, RG316