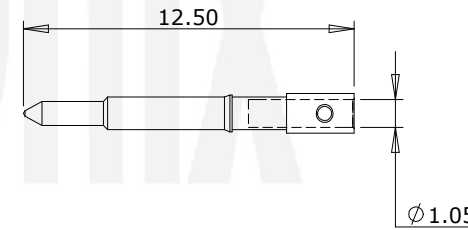
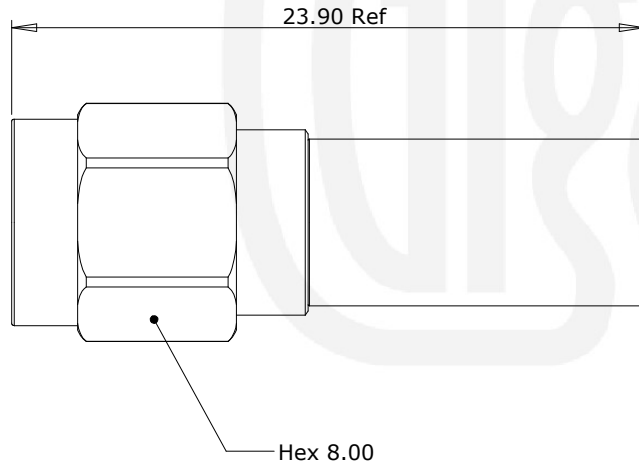
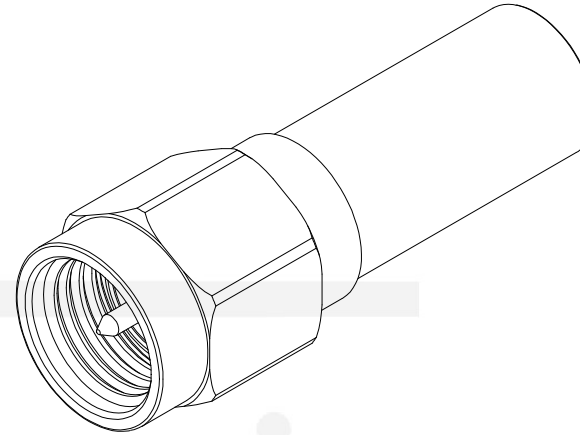


Revisions

Issue	Date	Note
5	15/05/2019	See note 52

SUMMARY VIEW



Description	Material	Finish
5 Dielectric	PTFE	White
4 Coupling Nut	Brass	Gold
3 Ferrule	Brass	Gold
2 Pin	Brass	Gold
1 Body	Brass	Gold

Unless otherwise specified tolerances
 0.5-5 = ±0.2
 >5-30 = ±0.4
 >30-120 = ±0.6
 >120-315 = ±1.0
 >315-1000 = ±1.6
 Angles = ±5°
 Units = mm

This document is the confidential property of Gigatronix Limited and may not be copied, reproduced or transmitted to any third party without written authorisation.



Author	PJP
Drawn by	PJP
Drawing date	01/01/2016
Checked by	PP
Checked date	15/05/2019
Scale	3.5 : 1

Part Number	MA15-0195-C01
Title:	SMA Crimp Plug, Dual Crimp, Gold Plated, RG58, LBC195, URM43