

Revisions		
Issue	Date	Note
1	11/08/2021	See GTXPDC/307

DATASHEET



1. Mechanical

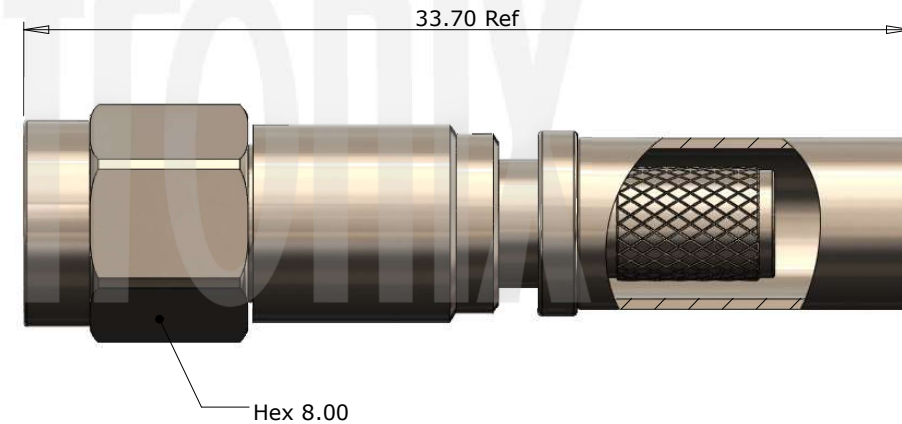
Cable Retention Equal to breaking strain of cable
 Durability 500 mating cycles
 Mating Torque 0.79 to 1.13Nm (7-10 in-lbs)

2. Environmental

RoHS Compliant Yes
 Temperature Range -65 to +165 degrees C

3. Electrical

Dielectric Withstanding 1000 Volts RMS Maximum
 Impedance 50 ohms
 Interface Frequency 12.4 GHz
 Working Voltage 500 Volts RMS Maximum



6	Ferrule	Brass	Nickel
5	Dielectric	PTFE	White
4	Integral Pin	Phosphor Bronze	Gold
3	Pin	Brass	Gold
2	Coupling Nut	Brass	Nickel
1	Body	Brass	Nickel
	Description	Material	Finish

Unless otherwise specified tolerances
 0.5-5 = ±0.2
 >5-30 = ±0.4
 >30-120 = ±0.6
 >120-315 = ±1.0
 >315-1000 = ±1.6
 Angles = ±5°
 Units = mm

This document is the confidential property of Gigatronix Limited and may not be copied, reproduced or transmitted to any third party without written authorisation.



Author	PJP
Drawn by	PJP
Drawing date	11/08/2021
Checked by	DB
Checked date	12/10/2021
Scale	Not to scale

Part Number	MA15-0400-C06WP
Title:	SMA Waterproof Crimp Plug, IP68, Nickel Plated, RG142, RG400, RG223

Revisions		
Issue	Date	Note
1	11/08/2021	See GTXPDC/307

ASSEMBLY INSTRUCTIONS

Assembly Instructions

1) Slide the ferrule onto the cable and strip the cable to the dimensions as shown, taking care not to nick the centre conductor or braid



2) Solder the pin onto the centre core and slide the pin into the body, ensuring that the cable braid is on the outside of the connector mandril and that the pin is fully located

3) Slide the ferrule forward and crimp



4) Apply adhesive lined heatshrink x 25mm up and over the mandril

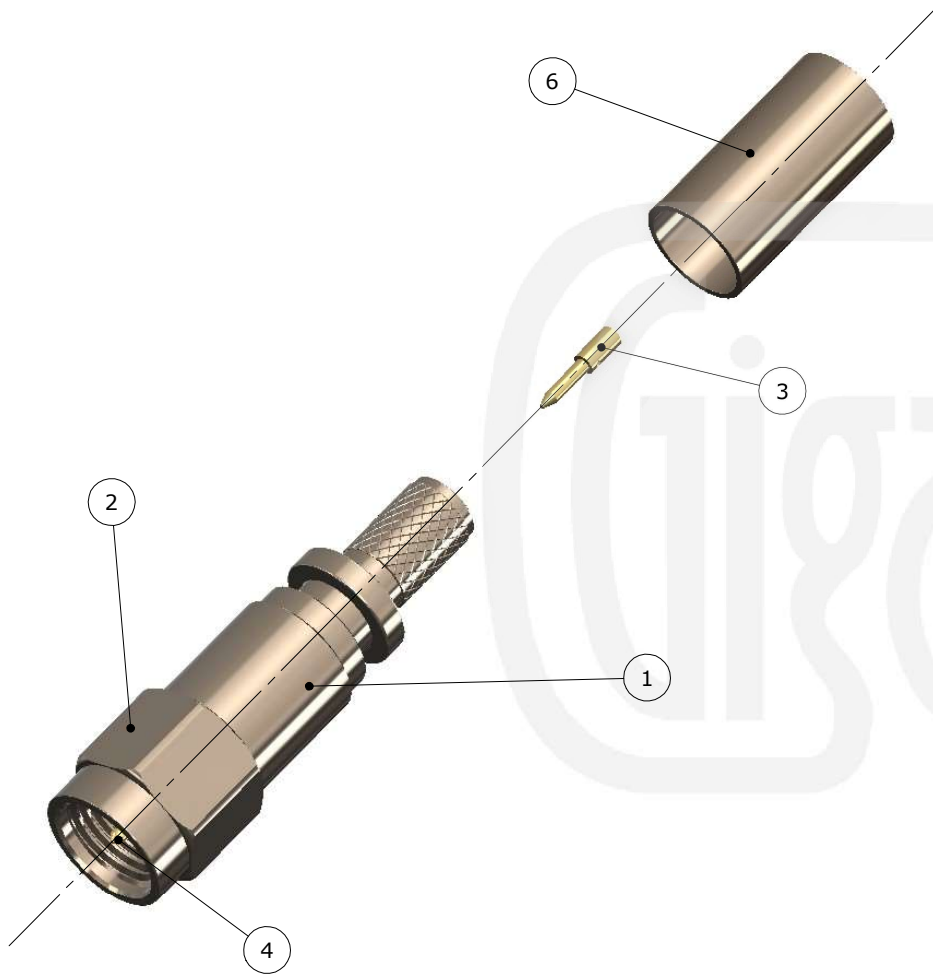


5) Apply heatshrink x 30mm over the top of the first heatshrink



Strip Dimensions:
A=7.5mm, B=3.8mm, C=1.5mm

Crimp Hex. Sizes:
5.41mm Hex, Solder centre core



Description	Material	Finish
6 Ferrule	Brass	Nickel
5 Dielectric	PTFE	White
4 Integral Pin	Phosphor Bronze	Gold
3 Pin	Brass	Gold
2 Coupling Nut	Brass	Nickel
1 Body	Brass	Nickel

Unless otherwise specified tolerances
 0.5-5 = ±0.2
 >5-30 = ±0.4
 >30-120 = ±0.6
 >120-315 = ±1.0
 >315-1000 = ±1.6
 Angles = ±5°
 Units = mm

This document is the confidential property of Gigatronix Limited and may not be copied, reproduced or transmitted to any third party without written authorisation.



Author	PJP
Drawn by	PJP
Drawing date	11/08/2021
Checked by	DB
Checked date	12/10/2021
Scale	Not to scale

Part Number MA15-0400-C06WP
Title: SMA Waterproof Crimp Plug, IP68, Nickel Plated, RG142, RG400, RG223