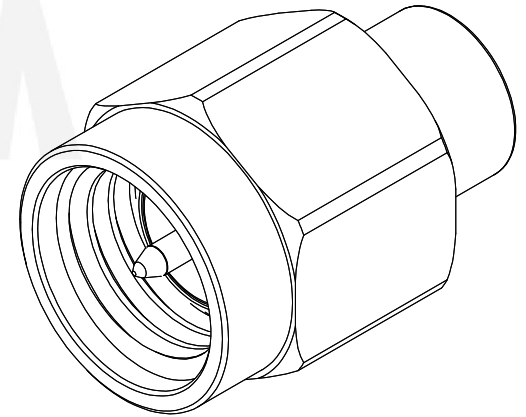
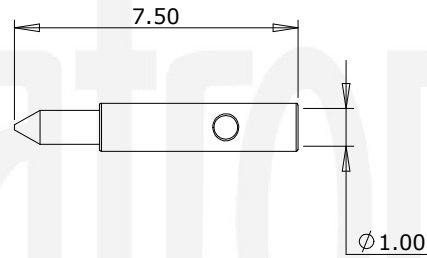
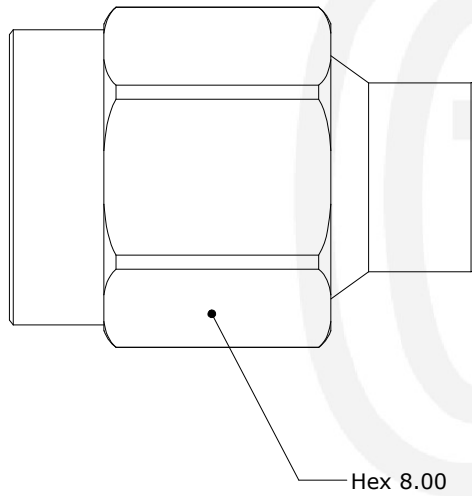


Revisions

Issue	Date	Note
1	05/05/2020	See note GTXPDC/155

SUMMARY VIEW



Description	Material	Finish
4 Insulator	PTFE	White
3 Coupling Nut	Brass	Gold
2 Pin	Brass	Gold
1 Body	Brass	Gold

Unless otherwise specified tolerances
 0.5-5 = ± 0.2
 >5-30 = ± 0.4
 >30-120 = ± 0.6
 >120-315 = ± 1.0
 >315-1000 = ± 1.6
 Angles = $\pm 5^\circ$
 Units = mm

This document is the confidential property of Gigatronix Limited and may not be copied, reproduced or transmitted to any third party without written authorisation.



Author	PJP
Drawn by	PJP
Drawing date	05/05/2020
Checked by	DB
Checked date	05/05/2020
Scale	5 : 1

Part Number	MA15-0402-R01
Title:	SMA Solder Plug, Gold Plated, RG402, .141 semi-rigid