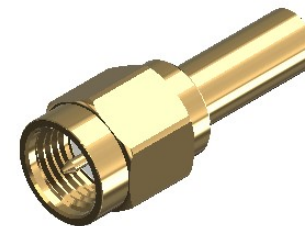


Revisions

Issue	Date	Note
1	29/11/2021	See note GTXPDC/355

DATASHEET



1. Mechanical

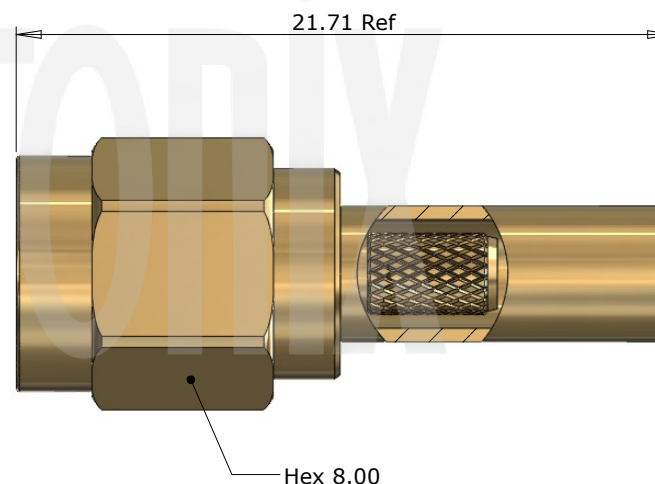
Cable Retention	Equal to breaking strain of cable
Durability	500 mating cycles
Mating Torque	0.79 to 1.13Nm (7-10 in-lbs)

2. Environmental

RoHS Compliant	Yes
Temperature Range	-65 to +165 degrees C

3. Electrical

Dielectric Withstanding	1000 Volts RMS Maximum
Impedance	50 ohms
Interface Frequency	12.4 GHz
Working Voltage	500 Volts RMS Maximum



Description	Material	Finish
5 Ferrule	Brass	Gold
4 Coupling Nut	Brass	Gold
3 Dielectric	PTFE	White
2 Pin	Brass	Gold
1 Body	Brass	Gold

Unless otherwise specified tolerances
 0.5-5 = ±0.2
 >5-30 = ±0.4
 >30-120 = ±0.6
 >120-315 = ±1.0
 >315-1000 = ±1.6
 Angles = ±5°
 Units = mm

This document is the confidential property of Gigatronix Limited and may not be copied, reproduced or transmitted to any third party without written authorisation.



Author	PJP
Drawn by	PJP
Drawing date	29/11/2021
Checked by	DB
Checked date	29/11/2021
Scale	Not to scale

Part Number MA15-3162-C01-3

Title: SMA Crimp Plug, Dual Crimp, Gold Plated, RD316

Revisions

Issue	Date	Note
1	29/11/2021	See note GTXPDC/355

ASSEMBLY INSTRUCTIONS

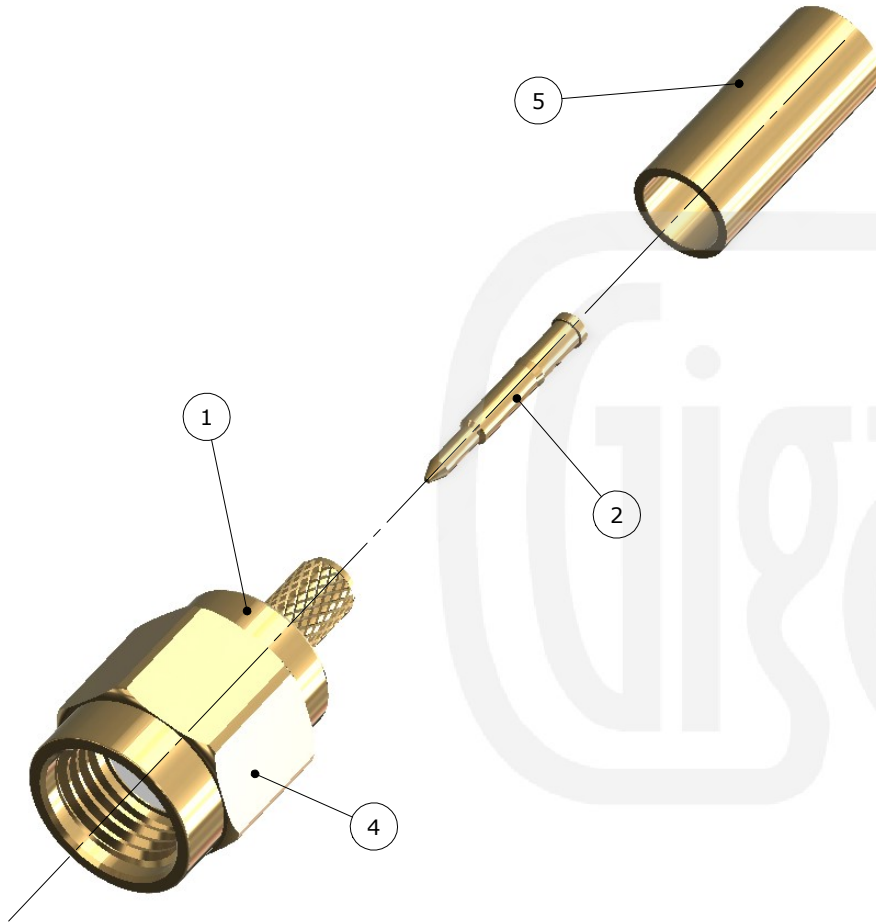
Assembly Instructions

1) Slide the ferrule onto the cable and strip the cable to the dimensions as shown, taking care not to nick the centre conductor or braid



2) Crimp the pin onto the centre core and slide the pin into the body, ensuring that the cable braid is on the outside of the connector mandril and that the pin is located in accordance with MIL-C-39012 interface dimensional requirements.

3) Slide the ferrule forward and crimp



Crimp Hex. Sizes:
3.83mm Hex, 1.00mm Hex

Strip Dimensions:
A=5.0mm, B=1.0mm, C=2.5mm



Description	Material	Finish
5 Ferrule	Brass	Gold
4 Coupling Nut	Brass	Gold
3 Dielectric	PTFE	White
2 Pin	Brass	Gold
1 Body	Brass	Gold

Unless otherwise specified tolerances
 0.5-5 = ±0.2
 >5-30 = ±0.4
 >30-120 = ±0.6
 >120-315 = ±1.0
 >315-1000 = ±1.6
 Angles = ±5°
 Units = mm

This document is the confidential property of Gigatronix Limited and may not be copied, reproduced or transmitted to any third party without written authorisation.



Author	PJP
Drawn by	PJP
Drawing date	29/11/2021
Checked by	DB
Checked date	29/11/2021
Scale	Not to scale

Part Number MA15-3162-C01-3

Title: SMA Crimp Plug, Dual Crimp, Gold Plated, RD316