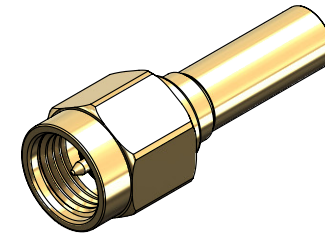


**Revisions**

| Issue | Date       | Note           |
|-------|------------|----------------|
| 1     | 25/07/2024 | See GTXPDC/980 |

**DATASHEET**



**1. Mechanical**

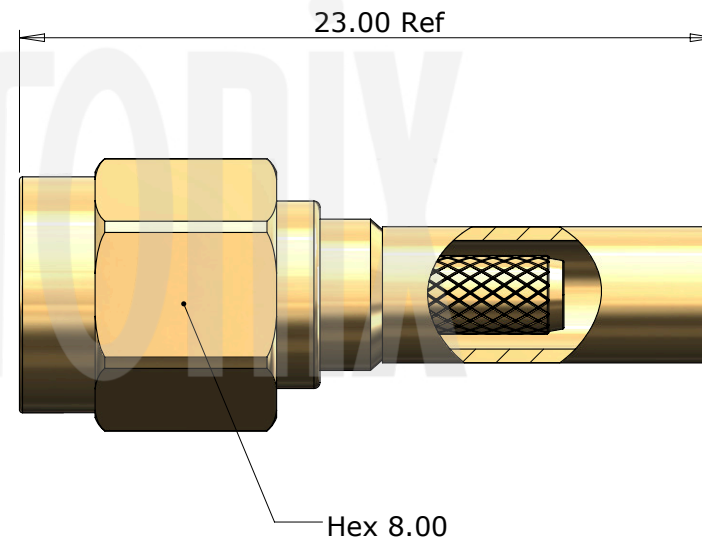
|                     |                                   |
|---------------------|-----------------------------------|
| Cable Retention     | Equal to breaking strain of cable |
| Durability          | 500 mating cycles                 |
| Mating Torque       | 0.79 to 1.13Nm (7-10 in-lbs)      |
| Contact Termination | Solder                            |
| Fixing Method       | Crimp                             |

**2. Environmental**

|                   |                       |
|-------------------|-----------------------|
| RoHS Compliant    | Yes                   |
| Temperature Range | -65 to +165 degrees C |

**3. Electrical**

|                         |                       |
|-------------------------|-----------------------|
| Dielectric Withstanding | 750 Volts RMS Maximum |
| Impedance               | 50 ohms               |
| Interface Frequency     | 12.4 GHz              |
| Working Voltage         | 335 Volts RMS Maximum |



| Description    | Material | Finish |
|----------------|----------|--------|
| 5 Dielectric   | PTFE     | White  |
| 4 Ferrule      | Brass    | Gold   |
| 3 Pin          | Brass    | Gold   |
| 2 Coupling Nut | Brass    | Gold   |
| 1 Body         | Brass    | Gold   |

Unless otherwise specified tolerances  
 0.5-5 = ±0.2  
 >5-30 = ±0.4  
 >30-120 = ±0.6  
 >120-315 = ±1.0  
 >315-1000 = ±1.6  
 Angles = ±5°  
 Units = mm

This document is the confidential property of Gigatronix Limited and may not be copied, reproduced or transmitted to any third party without written authorisation.



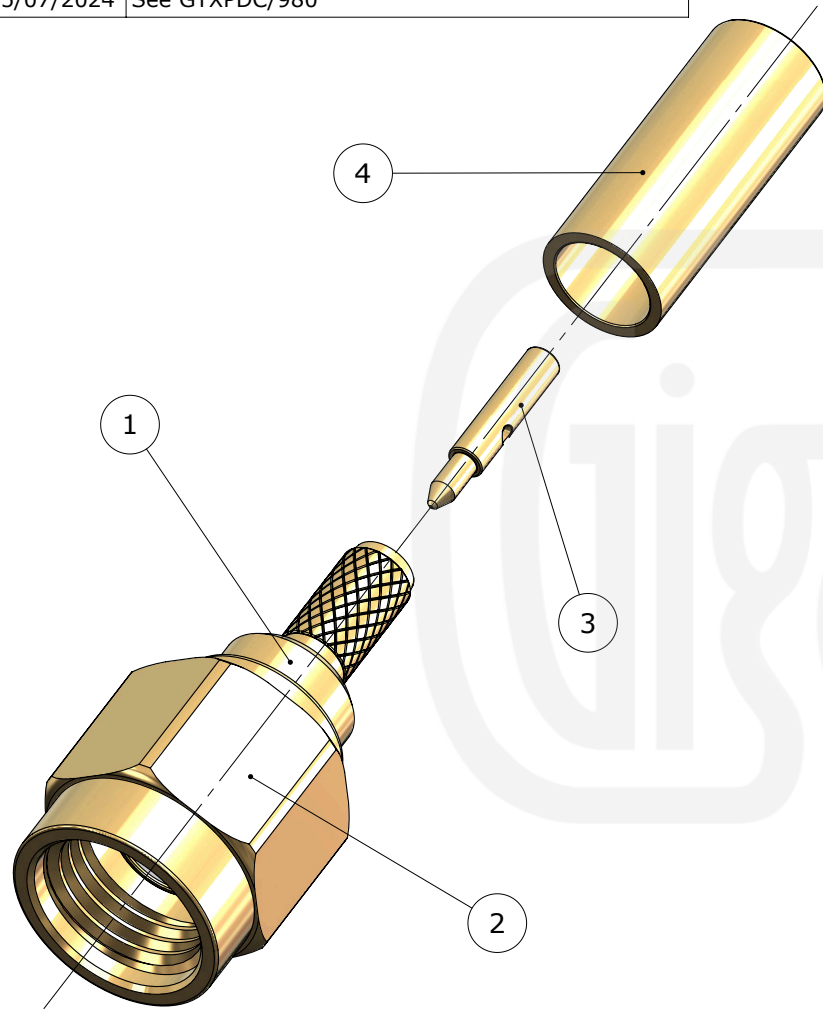
|                     |              |
|---------------------|--------------|
| <b>Author</b>       | PJP          |
| <b>Drawn by</b>     | PJP          |
| <b>Drawing date</b> | 25/07/2024   |
| <b>Checked by</b>   | DB           |
| <b>Checked date</b> | 26/07/2024   |
| <b>Scale</b>        | Not to scale |

**Part Number** MA15-D316-C01  
**Title:** SMA Crimp Plug, Gold Plated, RD316

**Revisions**

| Issue | Date       | Note           |
|-------|------------|----------------|
| 1     | 25/07/2024 | See GTXPDC/980 |

**ASSEMBLY INSTRUCTIONS**



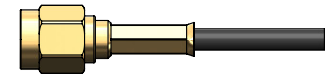
**Assembly Instructions**

1) Slide the ferrule onto the cable and strip the cable to the dimensions as shown, taking care not to nick the centre conductor or braid.



2) Solder the pin onto the centre core and slide the pin into the body, ensuring that the cable braid is on the outside of the connector mandril and that the pin is located in accordance with MIL-C-39012 interface dimensional requirements.

3) Slide the ferrule forward and crimp.



**Crimp Hex. Sizes:**  
3.84mm Hex, Solder centre core

**Strip Dimensions:**  
A=6.0mm, B=4.5mm, C=3.5mm



|   |                    |                 |               |
|---|--------------------|-----------------|---------------|
| 5 | Dielectric         | PTFE            | White         |
| 4 | Ferrule            | Brass           | Gold          |
| 3 | Pin                | Brass           | Gold          |
| 2 | Coupling Nut       | Brass           | Gold          |
| 1 | Body               | Brass           | Gold          |
|   | <b>Description</b> | <b>Material</b> | <b>Finish</b> |

Unless otherwise specified tolerances  
 0.5-5 = ±0.2  
 >5-30 = ±0.4  
 >30-120 = ±0.6  
 >120-315 = ±1.0  
 >315-1000 = ±1.6  
 Angles = ±5°  
 Units = mm

This document is the confidential property of Gigatronix Limited and may not be copied, reproduced or transmitted to any third party without written authorisation.



|                     |              |
|---------------------|--------------|
| <b>Author</b>       | PJP          |
| <b>Drawn by</b>     | PJP          |
| <b>Drawing date</b> | 25/07/2024   |
| <b>Checked by</b>   | DB           |
| <b>Checked date</b> | 26/07/2024   |
| <b>Scale</b>        | Not to scale |

**Part Number** MA15-D316-C01  
**Title:** SMA Crimp Plug, Gold Plated, RD316