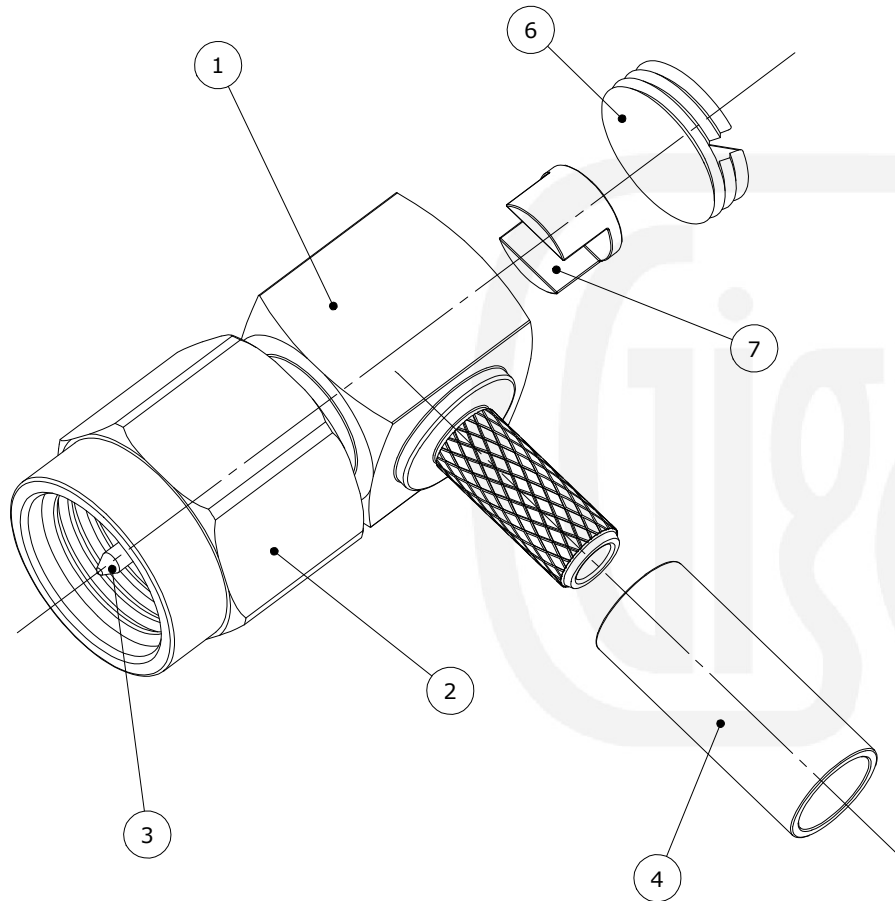


**Revisions**

Issue	Date	Note
1	11/04/2018	See note 456773864

**ASSEMBLY VIEW**

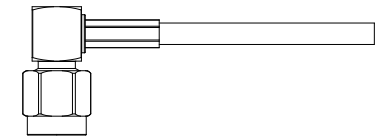
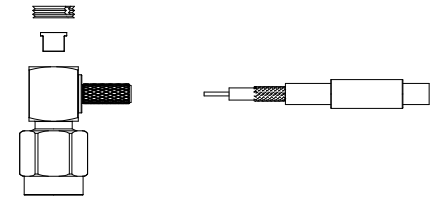


**Assembly Instructions**

1) Slide the ferrule onto the cable and strip the cable to the dimensions as shown, taking care not to nick the centre conductor or braid.

2) Insert the cable into the body, ensuring that the cable braid is on the outside of the connector mandril and that the centre core locates in the internal mounting post.

3) Slide the ferrule forward and crimp. Solder the centre core of the cable to the mounting post, insert the insulator and fit the end cap.

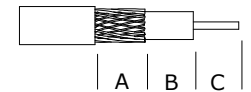


**Crimp Hex. Sizes:**

3.25mm Hex, Solder centre core

**Strip Dimensions:**

A=6.0mm, B=4.0mm, C=1.7mm



7	Insulator	ABS	White
6	End Cap	Brass	Gold
5	Dielectric	PTFE	White
4	Ferrule	Brass	Gold
3	Pin	Brass	Gold
2	Coupling Nut	Brass	Gold
1	Body	Brass	Gold
	<b>Description</b>	<b>Material</b>	<b>Finish</b>

Unless otherwise specified tolerances  
 0.5-5 = ±0.2  
 >5-30 = ±0.4  
 >30-120 = ±0.6  
 >120-315 = ±1.0  
 >315-1000 = ±1.6  
 Angles = ±5°  
 Units = mm

This document is the confidential property of Gigatronix Limited and may not be copied, reproduced or transmitted to any third party without written authorisation.



<b>Author</b>	PJP
<b>Drawn by</b>	PJP
<b>Drawing date</b>	11/04/2018
<b>Checked by</b>	TM
<b>Checked date</b>	16/04/2018
<b>Scale</b>	Not to scale

**Part Number** MA17-0174-C01

**Title:** SMA Crimp Right Angle Plug, Gold Plated, RG174, LBC100, RG316