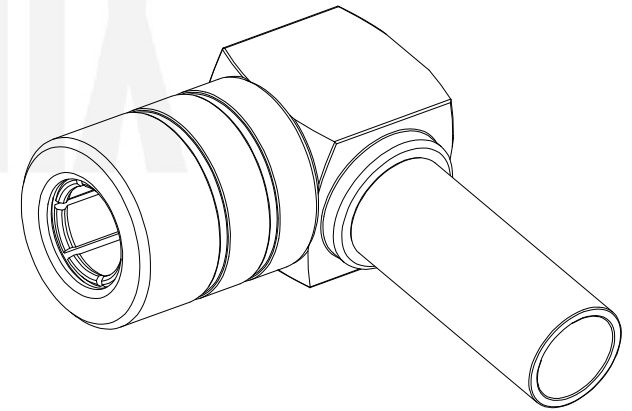
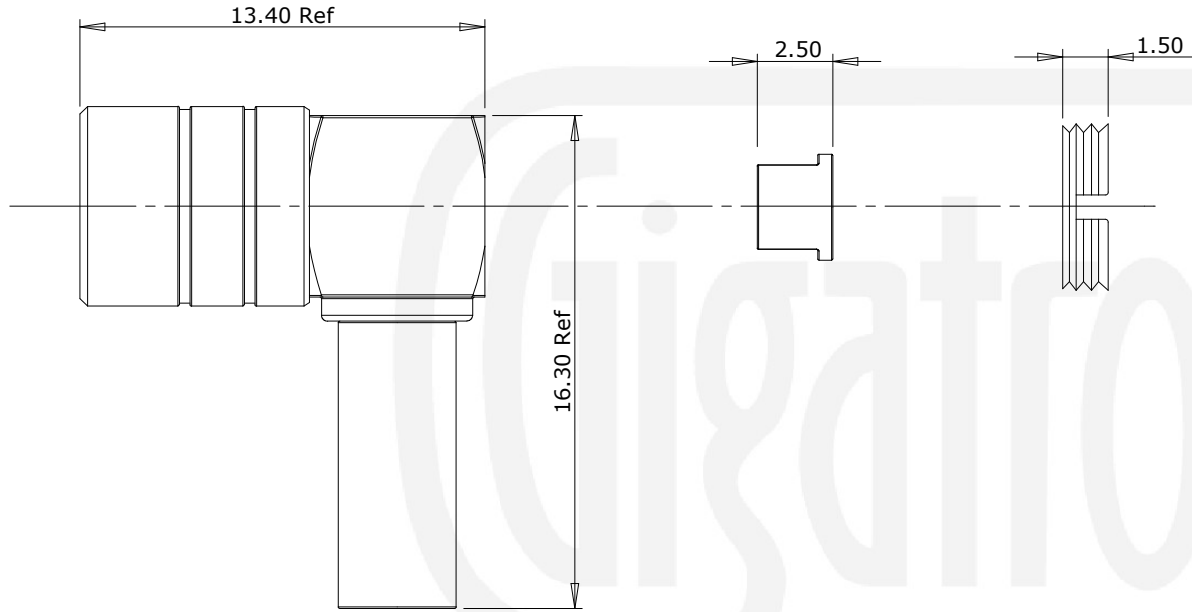


Revisions

Issue	Date	Note
1	27/03/2017	See note 368199368

SUMMARY VIEW



6	Dielectric	PTFE	White
5	Insulator	ABS	White
4	End Cap	Brass	Gold
3	Ferrule	Brass	Gold
2	Contact	Beryllium Copper	Gold
1	Body	Brass	Gold
	Description	Material	Finish

Unless otherwise specified tolerances
 0.5-5 = ±0.2
 >5-30 = ±0.4
 >30-120 = ±0.6
 >120-315 = ±1.0
 >315-1000 = ±1.6
 Angles = ±5°
 Units = mm

This document is the confidential property of Gigatronix Limited and may not be copied, reproduced or transmitted to any third party without written authorisation.



Author	PJP
Drawn by	PJP
Drawing date	27/03/2017
Checked by	TM
Checked date	29/03/2017
Scale	4 : 1

Part Number	MB17-0174-C01
Title:	SMB Crimp Right Angle Plug, Gold Plated, RG174, LBC100, RG316