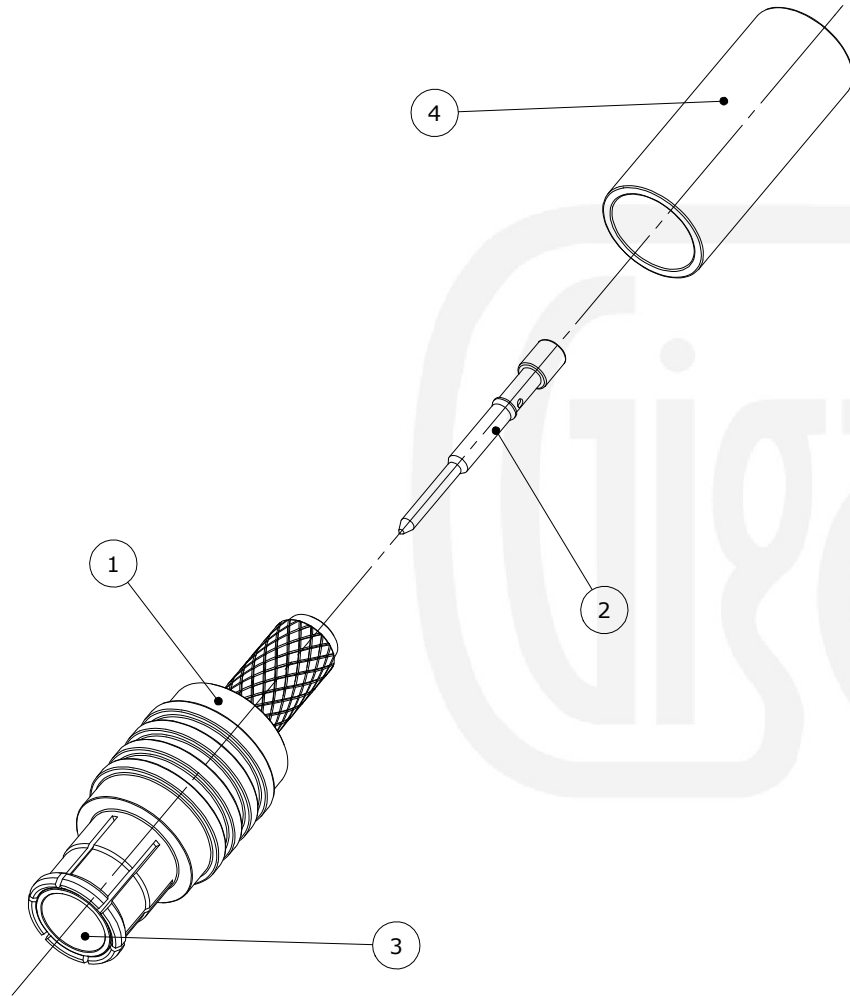


Revisions

Issue	Date	Note
3	17/05/2021	See GTXPDC/280 - PP

ASSEMBLY VIEW



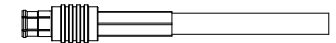
Assembly Instructions

1) Slide the ferrule onto the cable and strip the cable to the dimensions as shown, taking care not to nick the centre conductor or braid.



2) Crimp the pin onto the centre core and slide the pin into the body, ensuring that the cable braid is on the outside of the connector mandril and that the pin is fully located.

3) Slide the ferrule forward and crimp.

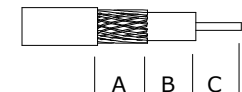


Crimp Hex. Sizes:

3.25mm Hex, 0.72mm Square

Strip Dimensions:

A=4.5mm, B=1.3mm, C=2.5mm



Description	Material	Finish
4 Ferrule	Brass	Gold
3 Dielectric	White	PTFE
2 Pin	Brass	Gold
1 Body	Brass / Beryllium Copper	Gold

Unless otherwise specified tolerances
 0.5-5 = ±0.2
 >5-30 = ±0.4
 >30-120 = ±0.6
 >120-315 = ±1.0
 >315-1000 = ±1.6
 Angles = ±5°
 Units = mm

This document is the confidential property of Gigatronix Limited and may not be copied, reproduced or transmitted to any third party without written authorisation.



Author	PJP
Drawn by	PJP
Drawing date	19/04/2018
Checked by	DB
Checked date	20/04/2018
Scale	Not to scale

Part Number MX15-D316-C01

Title: MCX Crimp Plug, Gold Plated, 50 ohms, RD316