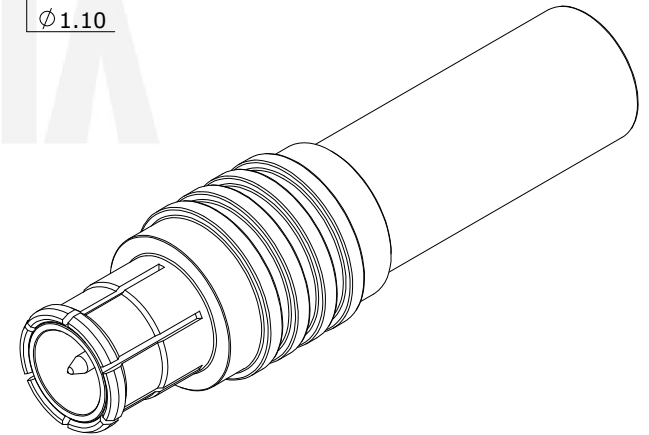
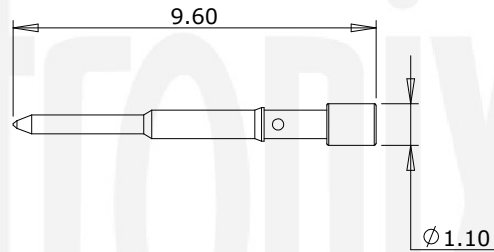
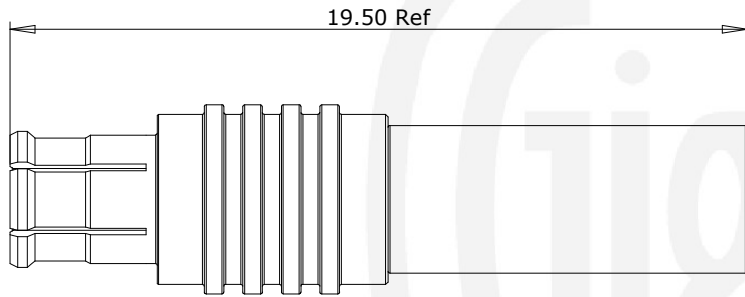


Revisions

Issue	Date	Note
3	17/05/2021	See GTXPDC/280 - PP

SUMMARY VIEW



4	Ferrule	Brass	Gold
3	Dielectric	White	PTFE
2	Pin	Brass	Gold
1	Body	Brass / Beryllium Copper	Gold
	Description	Material	Finish

Unless otherwise specified tolerances
 0.5-5 = ± 0.2
 >5-30 = ± 0.4
 >30-120 = ± 0.6
 >120-315 = ± 1.0
 >315-1000 = ± 1.6
 Angles = $\pm 5^\circ$
 Units = mm

This document is the confidential property of Gigatronix Limited and may not be copied, reproduced or transmitted to any third party without written authorisation.



Author	PJP
Drawn by	PJP
Drawing date	19/04/2018
Checked by	DB
Checked date	20/04/2018
Scale	5 : 1

Part Number	MX15-D316-C01
Title:	MCX Crimp Plug, Gold Plated, 50 ohms, RD316