

Revisions		
Issue	Date	Note
1	18/01/2023	See note GTXPDC/643

**1. Mechanical**

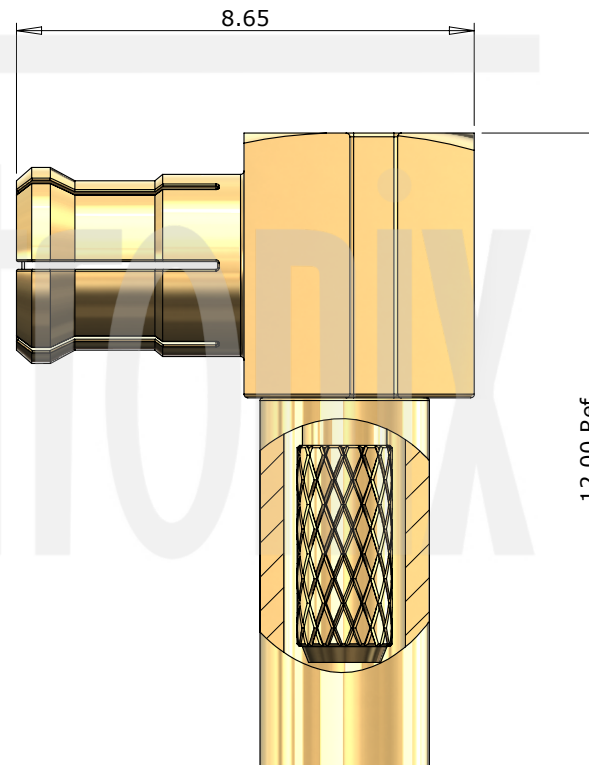
Fixing Method	Crimp
Cable Retention	Equal to breaking strain of cable
Durability	500 mating cycles
Contact Termination	Solder

**2. Environmental**

RoHS Compliant	Yes
Temperature Range	-55 to +85 degrees C

**3. Electrical**

Dielectric Withstanding	500 Volts RMS Maximum
Impedance	50 ohms
Interface Frequency	6 GHz
Working Voltage	250 Volts RMS Maximum



Description	Material	Finish
6 End Cap	Brass	Gold
5 Insulator	Delrin	White
4 Ferrule	Brass	Gold
3 Dielectric	PTFE	White
2 Pin	Phosphor Bronze	Gold
1 Body	Brass / Beryllium Copper	Gold

Unless otherwise specified tolerances  
 0.5-5 = ±0.2  
 >5-30 = ±0.4  
 >30-120 = ±0.6  
 >120-315 = ±1.0  
 >315-1000 = ±1.6  
 Angles = ±5°  
 Units = mm

This document is the confidential property of Gigatronix Limited and may not be copied, reproduced or transmitted to any third party without written authorisation.

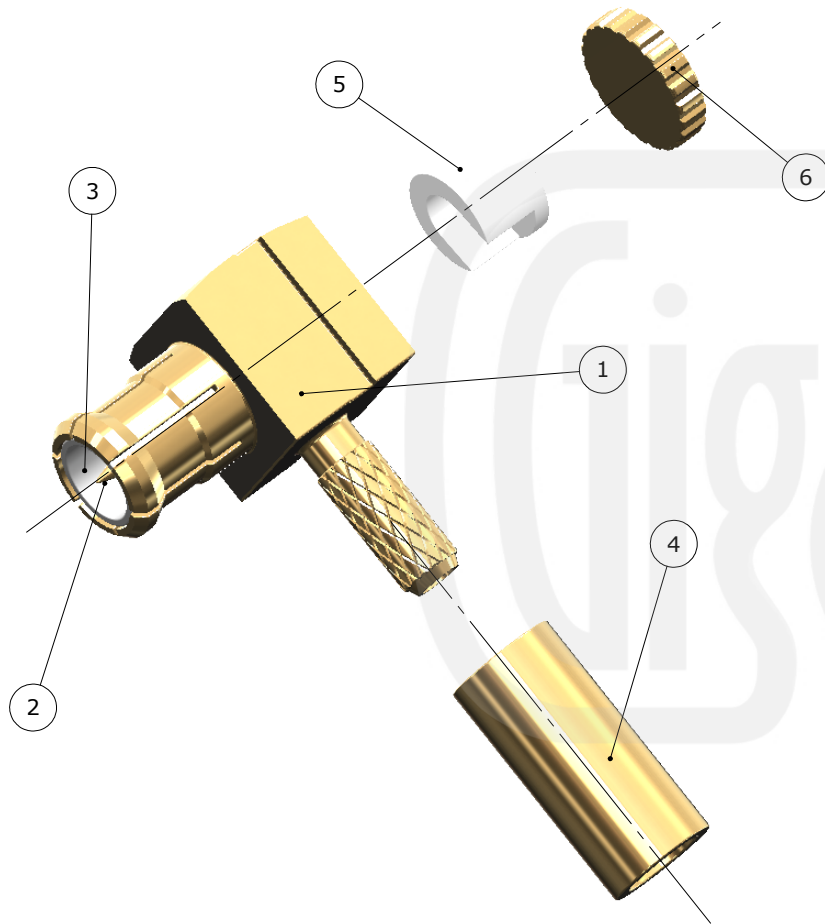


<b>Author</b>	PJP
<b>Drawn by</b>	PJP
<b>Drawing date</b>	18/01/2023
<b>Checked by</b>	DB
<b>Checked date</b>	19/01/2023
<b>Scale</b>	Not to scale

**Part Number** MX17-0178-C01  
**Title:** MCX Crimp Right Angle Plug, Gold Plated, 50 ohms, RG178

Revisions		
Issue	Date	Note
1	18/01/2023	See note GTXPDC/643

## ASSEMBLY INSTRUCTIONS



### Assembly Instructions

1) Slide the ferrule onto the cable and strip the cable to the dimensions as shown, taking care not to nick the centre conductor or braid.



2) Insert the cable into the body, ensuring that the cable braid is on the outside of the connector mandril and that the centre core locates in the internal mounting post.

3) Slide the ferrule forward and crimp. Solder the centre core of the cable to the mounting post and fit the insulator and end cap.



**Crimp Die Sizes:**  
2.67mm Hex., Solder centre core

**Strip Dimensions:**  
A=5.0mm, B=2.0mm, C=2.0mm



6	End Cap	Brass	Gold
5	Insulator	Delrin	White
4	Ferrule	Brass	Gold
3	Dielectric	PTFE	White
2	Pin	Phosphor Bronze	Gold
1	Body	Brass / Beryllium Copper	Gold
	<b>Description</b>	<b>Material</b>	<b>Finish</b>

Unless otherwise specified tolerances  
 0.5-5 =  $\pm 0.2$   
 >5-30 =  $\pm 0.4$   
 >30-120 =  $\pm 0.6$   
 >120-315 =  $\pm 1.0$   
 >315-1000 =  $\pm 1.6$   
 Angles =  $\pm 5^\circ$   
 Units = mm

This document is the confidential property of Gigatronix Limited and may not be copied, reproduced or transmitted to any third party without written authorisation.

# Gigatronix

**Part Number** MX17-0178-C01

**Title:** MCX Crimp Right Angle Plug, Gold Plated, 50 ohms, RG178

<b>Author</b>	PJP
<b>Drawn by</b>	PJP
<b>Drawing date</b>	18/01/2023
<b>Checked by</b>	DB
<b>Checked date</b>	19/01/2023
<b>Scale</b>	Not to scale