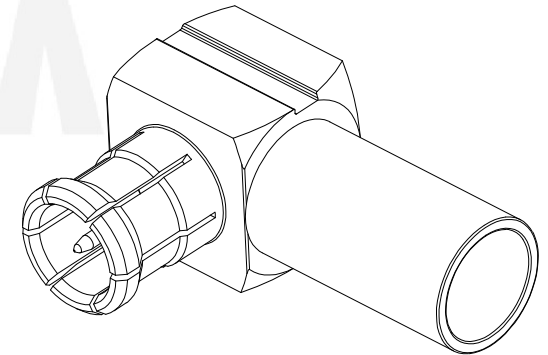
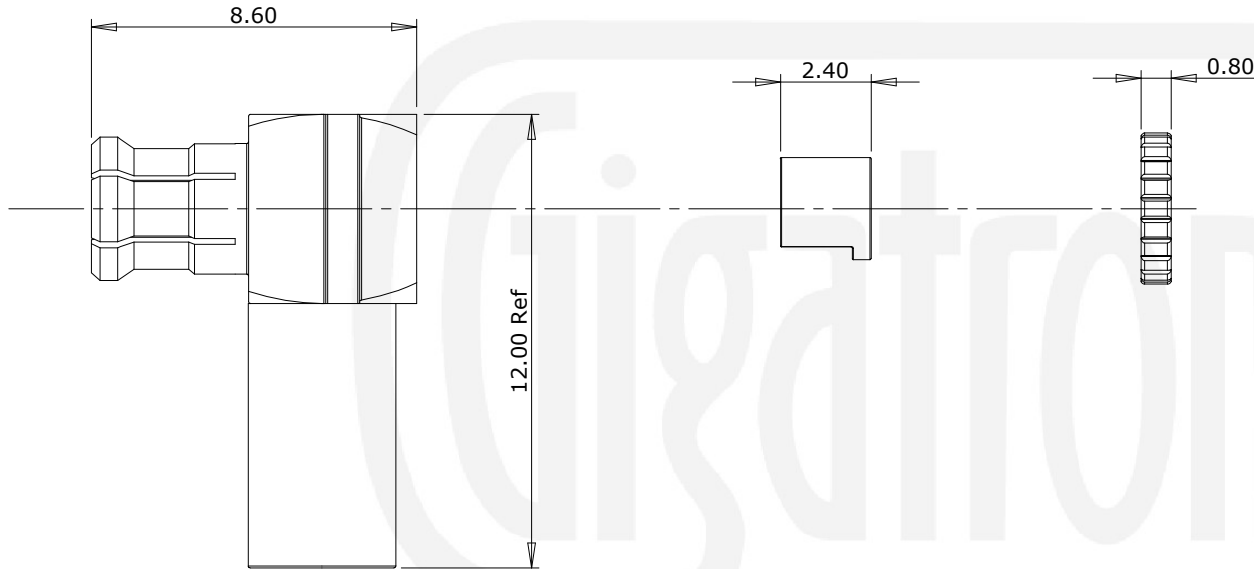


Revisions

Issue	Date	Note
1	29/09/2020	See note GTXPDC/214

SUMMARY VIEW



Description	Material	Finish
6 End Cap	Brass	Gold
5 Insulator	Delrin	White
4 Ferrule	Brass	Gold
3 Dielectric	PTFE	White
2 Pin	Brass	Gold
1 Body	Brass / Beryllium Copper	Gold

Unless otherwise specified tolerances
 0.5-5 = ±0.2
 >5-30 = ±0.4
 >30-120 = ±0.6
 >120-315 = ±1.0
 >315-1000 = ±1.6
 Angles = ±5°
 Units = mm

This document is the confidential property of Gigatronix Limited and may not be copied, reproduced or transmitted to any third party without written authorisation.



Author	PJP
Drawn by	PJP
Drawing date	28/09/2020
Checked by	SM
Checked date	28/09/2020
Scale	5 : 1

Part Number	MX17-0179-C01-Z
Title:	MCX Crimp Right Angle Plug, Gold Plated, Belden RG179DT, RG179