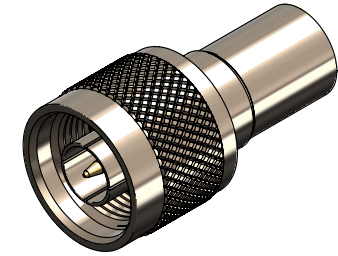


Revisions

Issue	Date	Note
1	19/07/2023	See GTXPDC/813

DATASHEET



1. Mechanical

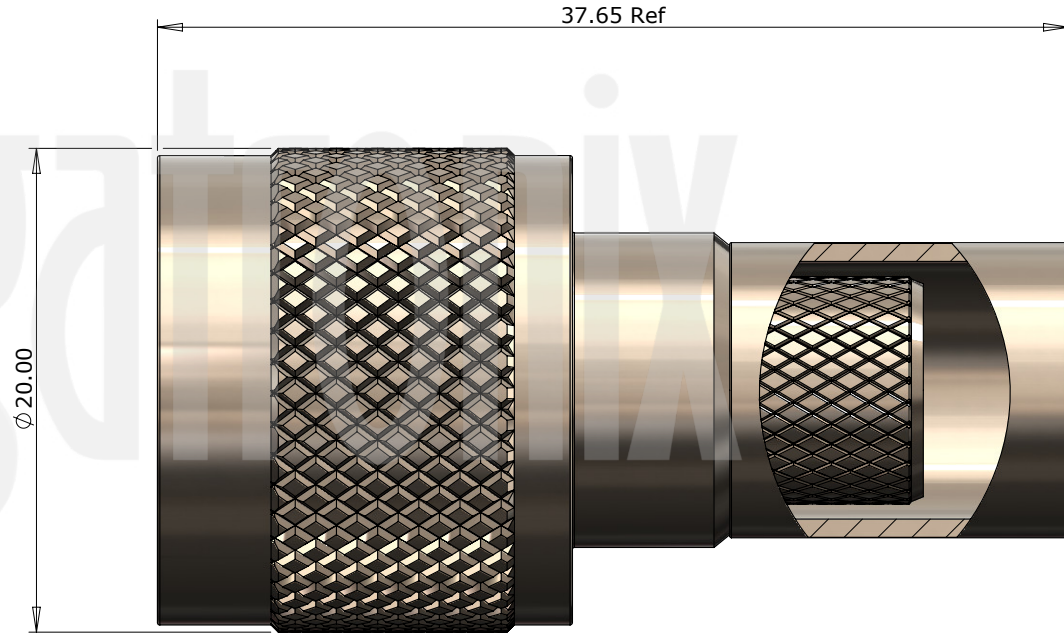
Cable Retention	Equal to breaking strain of cable
Durability	500 mating cycles
Fixing Method	Crimp

2. Environmental

RoHS Compliant	Yes
Temperature Range	-65 to +165 degrees C

3. Electrical

Dielectric Withstanding	2500 Volts RMS Maximum
Impedance	50 ohms
Interface Frequency	11 GHz
Working Voltage	1500 Volts RMS Maximum



Description	Material	Finish
5 Ferrule	Brass	Nickel
4 Dielectric	PTFE	White
3 Pin	Brass	Gold
2 Coupling Nut	Brass	Nickel
1 Body	Brass	Nickel

Unless otherwise specified tolerances
 0.5-5 = ±0.2
 >5-30 = ±0.4
 >30-120 = ±0.6
 >120-315 = ±1.0
 >315-1000 = ±1.6
 Angles = ±5°
 Units = mm

This document is the confidential property of Gigatronix Limited and may not be copied, reproduced or transmitted to any third party without written authorisation.



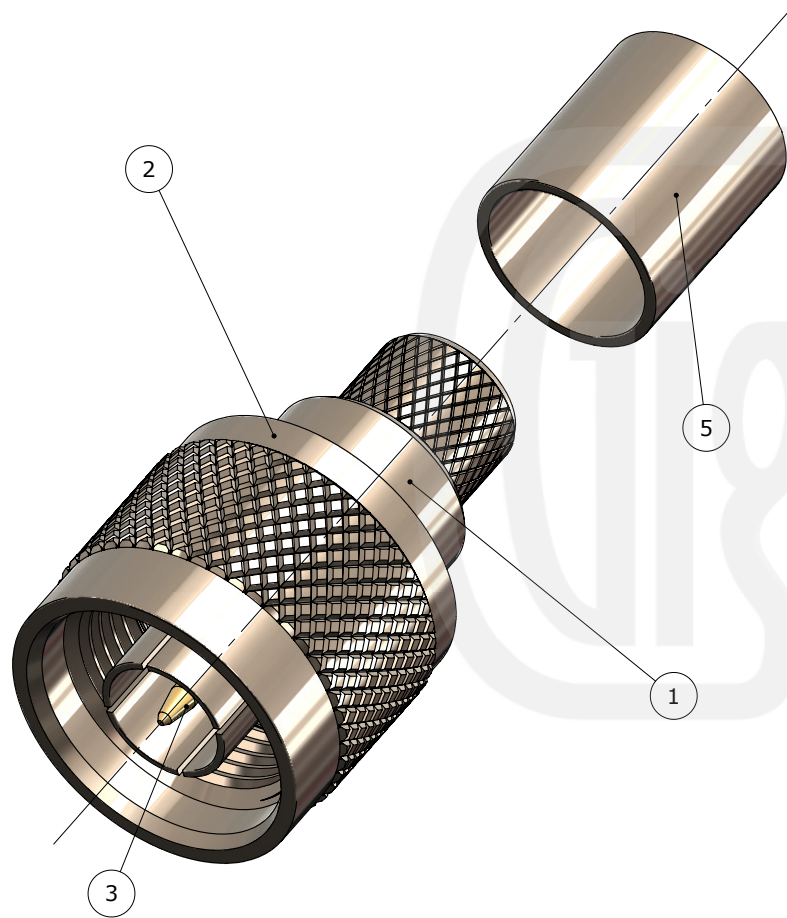
Author	PJP
Drawn by	PJP
Drawing date	19/07/2023
Checked by	DB
Checked date	19/07/2023
Scale	Not to scale

Part Number	NT15-0519-C06-2
Title:	N Type Crimp Plug, Nickel Plated, 2 piece with Integral Pin, LBC400, Belden 9913, RA519

Revisions

Issue	Date	Note
1	19/07/2023	See GTXPDC/813

ASSEMBLY INSTRUCTIONS



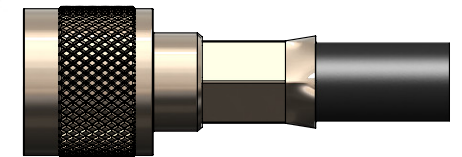
Assembly Instructions:

1) Slide the ferrule onto the cable and strip the cable to the dimensions as shown, taking care not to nick the centre conductor or braid



2) Slide the centre conductor into the body until fully located in the integral pin, ensuring that the cable braid is on the outside of the connector mandril

3) Slide the ferrule forward and crimp



Crimp Die Sizes:
10.90mm Hex.

Strip Dimensions:
A=9.0mm, B=2.0mm, C=4.0mm



Description	Material	Finish
5 Ferrule	Brass	Nickel
4 Dielectric	PTFE	White
3 Pin	Brass	Gold
2 Coupling Nut	Brass	Nickel
1 Body	Brass	Nickel

Unless otherwise specified tolerances
 0.5-5 = ±0.2
 >5-30 = ±0.4
 >30-120 = ±0.6
 >120-315 = ±1.0
 >315-1000 = ±1.6
 Angles = ±5°
 Units = mm

This document is the confidential property of Gigatronix Limited and may not be copied, reproduced or transmitted to any third party without written authorisation.



Part Number NT15-0519-C06-2

Title: N Type Crimp Plug, Nickel Plated, 2 piece with Integral Pin, LBC400, Belden 9913, RA519

Author	PJP
Drawn by	PJP
Drawing date	19/07/2023
Checked by	DB
Checked date	19/07/2023
Scale	Not to scale