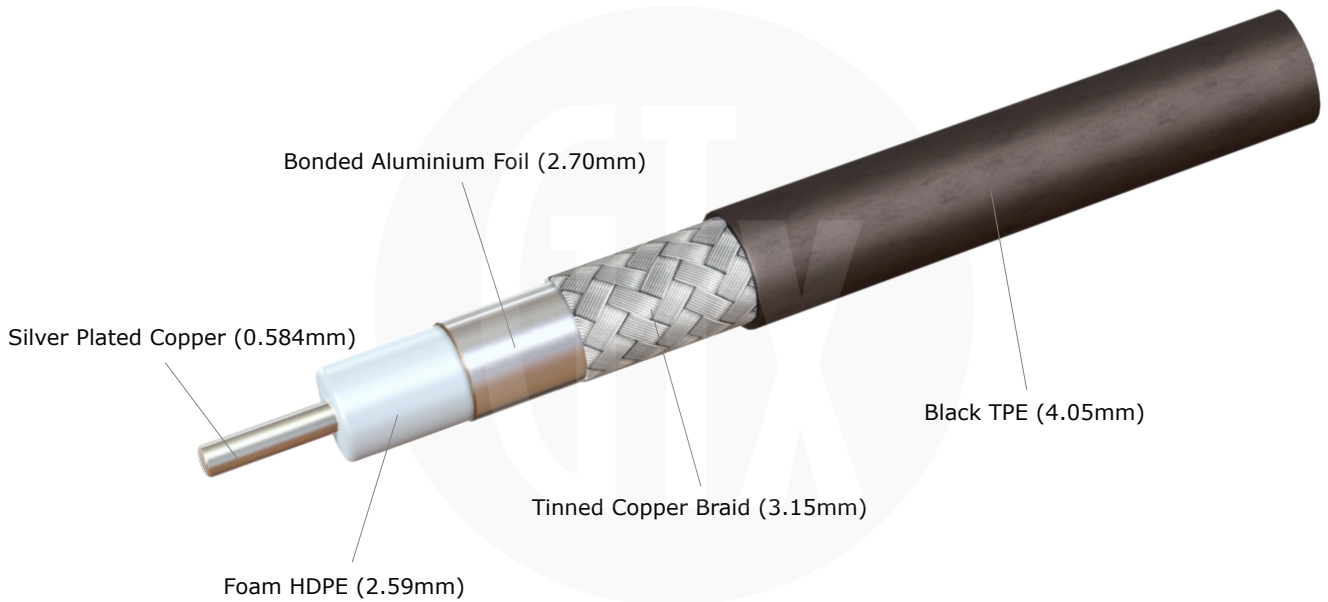


# UHD75-M59XF Mini RG59 ExtraFlex 4K Ultra High Definition, 0.6/2.6



## MATERIAL SPECIFICATION

Inner Conductor	Silver Plated Copper (0.584mm)
Dielectric	Foam HDPE (2.59mm)
First Shield	Bonded Aluminium Foil (2.70mm)
Second Shield	Tinned Copper Braid (3.15mm)
Jacket	Black TPE (4.05mm)

## ELECTRICAL SPECIFICATION

Impedance	75 Ohms
Max. Frequency	DC to 12 GHz
Capacitance	53 pF/m
Velocity of Propagation	83%

## UHD75-M59XF Mini RG59 ExtraFlex 4K Ultra High Definition, 0.6/2.6

### MECHANICAL & ENVIRONMENTAL SPECIFICATION

Bending Radius (static)	14mm
Bending Radius (flexing)	46mm
RoHS Compliant	Yes
Temperature Range	-20 to +75 degrees C
CPR Compliance	Fca

FREQUENCY	ATTENUATION (per 100m)
270.000 MHz	17.84 dB
540.000 MHz	25.72 dB
1000.000 MHz	35.40 dB
3000.000 MHz	62.30 dB
6000.000 MHz	90.80 dB
12000.000 MHz	135.00 dB

### RECOMMENDED MAXIMUM TRANSMISSION LENGTH\*

Single Link 3Gb/s (SMPTE ST425) maximum distance 97m
Single Link 6Gb/s (SMPTE ST2081) maximum distance 64m
Single Link 12Gb/s (SMPTE 2082, SMPTE 2083) maximum distance 44m

\*based on 40dB loss at 1/2 clock frequency